

DATASHEET

PART NUMBER

WES1605-0970

**Wescon 1605 1/4"-28 Threaded Drill Chuck Collet
- Size 0.0970in**

120 degree seating angle. Use standard drill bits with 1/4"-28 threaded angle drill motors

WEBSITE

<https://www.wesconusa.com/products/WES1605-0970>



* The image represents the general look of the series. Actual product may vary based on options selected.

SPECIFICATIONS

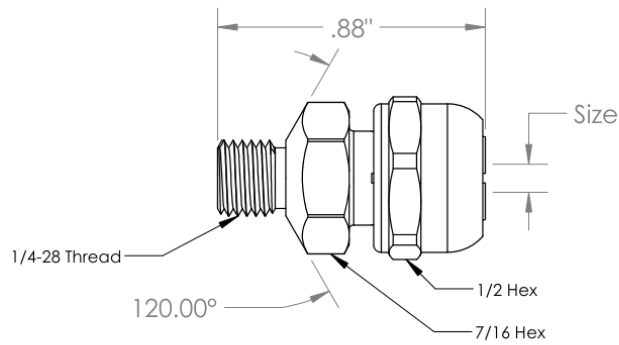
Mount Type	Male Thread
Chuck Type	Collet Chuck
Thread Size	1/4-28
Size	0.0970in
Country of Origin	USA

ADDITIONAL IMAGES AND DRAWINGS



Image 1

WES1605 Series Drill Chuck Collet



Minimum Size: 0.0700in
 Maximum Size: 0.2570in

Order as P/N WES1605-(SIZE)
 See wesconusa.com for full list of available sizes and part numbers.
 Custom size available upon request.

Used with 1/4-28 threaded angle drill motors

		Part Number	WES1605
		Threaded Drill Chuck Collet	
Revision 03	All dimensions are in Inches	Information in this drawing is provided for reference only	

Image 2