

DATASHEET

PART NUMBER

WES1615-20

**Wescon 1615 Quick Change Collet Chuck -
Size #20 (0.1610in)**

Short series for use in right angle drill motors with our
model 1760 chuck

WEBSITE

<https://www.wesconusa.com/products/WES1615-20>



* The image represents the general look of the series. Actual product may vary based on options selected.

SPECIFICATIONS

Mount Type	Quick Change
Chuck Type	Collet Chuck
Size	#20 (0.1610in)
Country of Origin	USA

ADDITIONAL IMAGES AND DRAWINGS

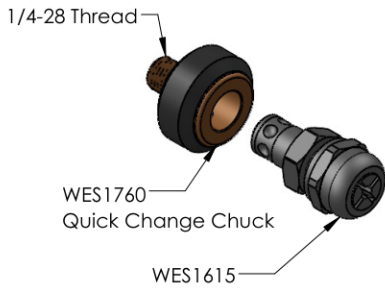
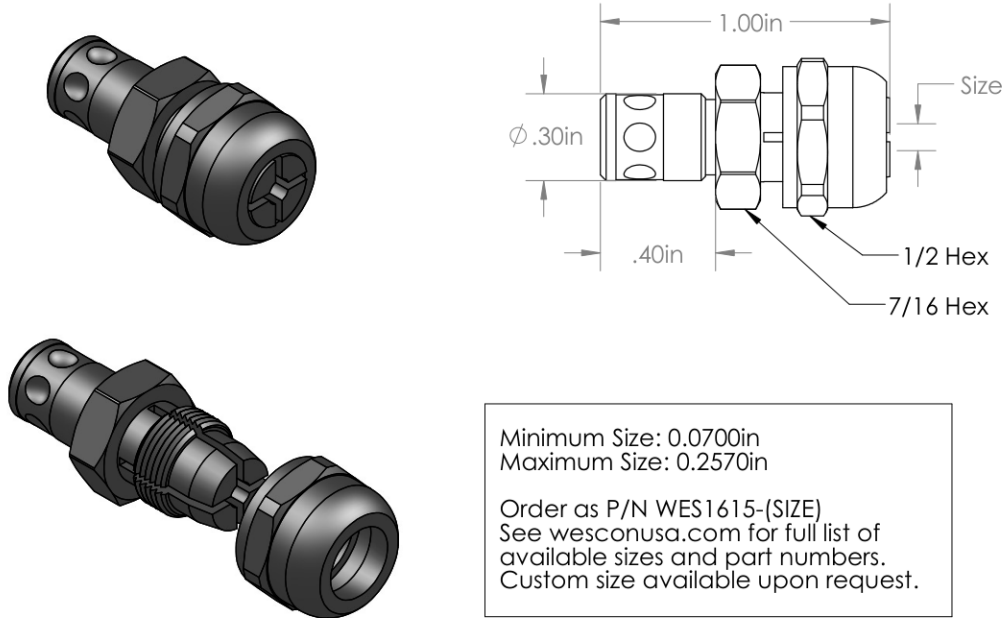


Image 0



Image 1

WES1615 Series Quick Change Collet Chuck



Notes from our Engineering Team

- Adapts straight shank tools to be used in quick-change system.
- Use with the WES1760 to connect quick-change tooling to 1/4-28 threaded drill motors.

		Part Number	WES1615
Do not modify, copy, distribute, or reproduce this drawing without prior written authorization.		© 2025 Wescon Industries Inc. 601 Century Plaza Dr. Houston, TX 77073, US www.wesconusa.com	
Revision 02	All dimensions are in Inches	Information in this drawing is provided for reference only	
		Quick Change Collet Chuck	

Image 2