

DATASHEET

PART NUMBER

WES1625-30

**Wescon 1625 Quick Change Collet Chuck -
Size #30 (0.1285in)**

Standard series quick change used with our model 1750
chuck

WEBSITE

<https://www.wesconusa.com/products/WES1625-30>



* The image represents the general look of the series. Actual product may vary based on options selected.

SPECIFICATIONS

Mount Type	Quick Change
Chuck Type	Collet Chuck
Size	#30 (0.1285in)
Country of Origin	USA

ADDITIONAL IMAGES AND DRAWINGS

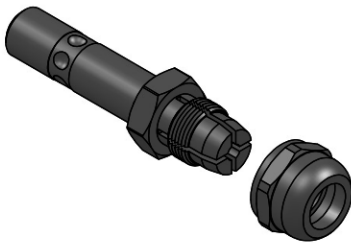
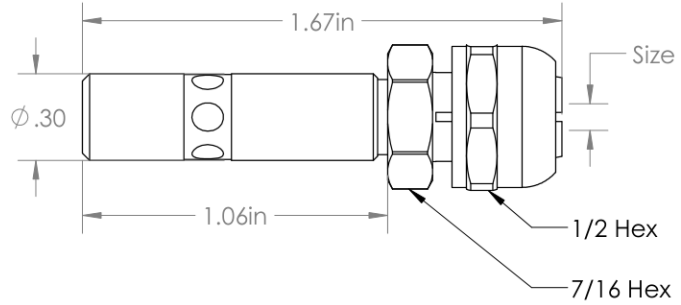
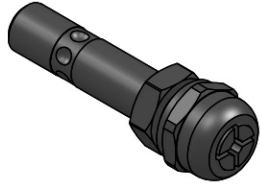


Image 0



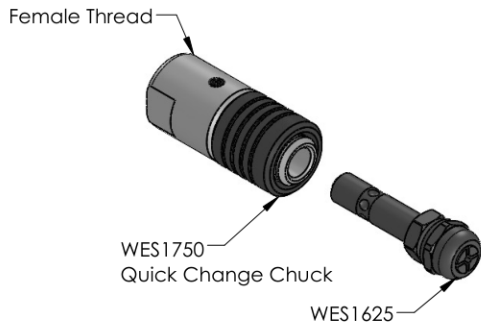
Image 1

WES1625 Series Quick Change Collet Chuck



Minimum Size: 0.0700in
 Maximum Size: 0.2570in

Order as P/N WES1625-(SIZE)
 See wesconusa.com for full list of available sizes and part numbers.
 Custom size available upon request.



Notes from our Engineering Team

- Adapts straight shank tools to be used in quick-change system.
- Use with the WES1750 to connect quick-change tooling to 3/8-24 or 1/2-20 threaded drill motors.

		Part Number	WES1625
<small>Do not modify, copy, distribute, or reproduce this drawing without prior written authorization.</small>		© 2025 Wescon Industries Inc. 601 Century Plaza Dr. Houston, TX 77073, US www.wesconusa.com	
Revision 03	All dimensions are in Inches	Quick Change Collet Chuck	
		<small>Information in this drawing is provided for reference only</small>	

Image 2