

DATASHEET

PART NUMBER

WES1625-F

**Wescon 1625 Quick Change Collet Chuck -
Size F (0.2570in)**

Standard series quick change used with our model 1750
chuck

WEBSITE

<https://www.wesconusa.com/products/WES1625-F>



* The image represents the general look of the series. Actual product may vary based on options selected.

SPECIFICATIONS

Mount Type	Quick Change
Chuck Type	Collet Chuck
Size	F (0.2570in)
Country of Origin	USA

ADDITIONAL IMAGES AND DRAWINGS

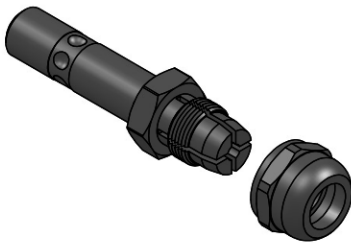
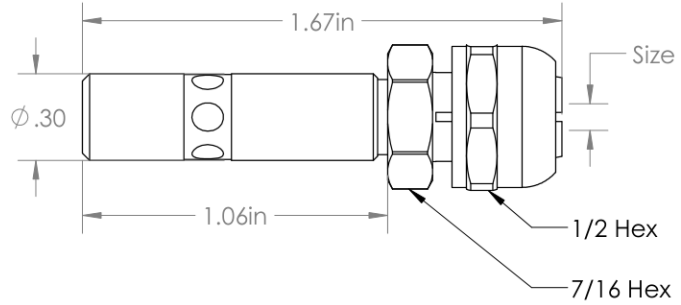
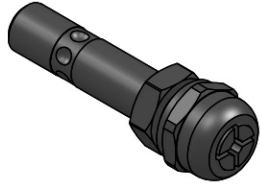


Image 0



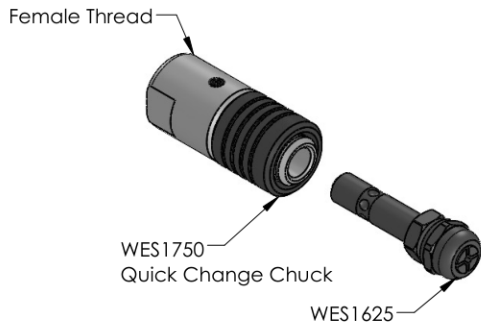
Image 1

WES1625 Series Quick Change Collet Chuck



Minimum Size: 0.0700in
 Maximum Size: 0.2570in

Order as P/N WES1625-(SIZE)
 See wesconusa.com for full list of available sizes and part numbers.
 Custom size available upon request.



Notes from our Engineering Team

- Adapts straight shank tools to be used in quick-change system.
- Use with the WES1750 to connect quick-change tooling to 3/8-24 or 1/2-20 threaded drill motors.

		Part Number	WES1625
Do not modify, copy, distribute, or reproduce this drawing without prior written authorization.		© 2025 Wescon Industries Inc. 601 Century Plaza Dr. Houston, TX 77073, US www.wesconusa.com	
Revision 03	All dimensions are in Inches	Quick Change Collet Chuck	
Information in this drawing is provided for reference only			

Image 2