

DATASHEET

PART NUMBER

WES2528-QC-3

**Wescon WES2528-QC-3 Quick Change Drill
Extension 3" Length**

WEBSITE

<https://www.wesconusa.com/products/WES2528-QC-3>

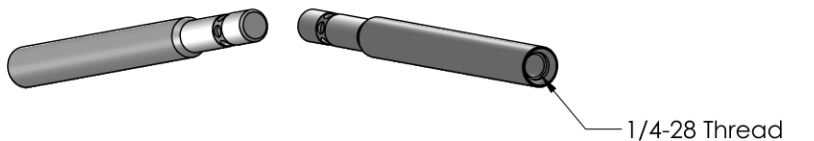


* The image represents the general look of the series. Actual product may vary based on options selected.

SPECIFICATIONS


Attachment Type	Quick Change
Length	3 in
Body Diameter	3/4 in
Country of Origin	USA

ADDITIONAL IMAGES AND DRAWINGS



1/4-28 Thread

Part Number	L-Length
2528- QC-2	2"
2528- QC-3	3"
2528- QC-4	4"
2528- QC-6	6"



L"

ϕ .38


 <p>© 2025 Wescon Industries Inc. 401 Century Plaza Dr. Houston, TX 77073, US www.wesconusa.com</p>	Part Number
	WES2528-QC
Quick Change Drill Extension	
All dimensions are in Inches Information in this drawing is provided for reference only	

Image 1