

## DATASHEET

PART NUMBER

**WES396-6-S3L-QC**

**Wescon 396 Microstop - M6x1 - 12 mm Cutter  
Capacity - 3-Leg**

SMALL CAPACITY / TIGHT SPACE APPLICATIONS

WEBSITE

<https://www.wesconusa.com/products/WES396-6-S3L-QC>




\* The image represents the general look of the series. Actual product may vary based on options selected.

## SPECIFICATIONS

Measurement Type	Metric
Bearing Rating	10,000 rpm
Bearing Type	Dual Ball Bearings
Heavy Duty Thrust Bearing	No
Incremental Adjustment	0.0005 in
Shaft Travel	4 mm
Cutter Thread	M6x1
Shaft	Quick Change
Shaft Diameter	1/4 in
Cutter Capacity	12 mm
Skirt	3-Leg
Solid Stop	Yes
Material	Steel
Stroke Length	0.157 in (4mm) Shaft Travel
Country of Origin	USA

## ADDITIONAL IMAGES AND DRAWINGS

### WES396 Series Microstop



**Part Number**  
WES396-X-XX-XX-XX

- \_\_\_\_\_ Shaft Option
- \_\_\_\_\_ Foot Style
- \_\_\_\_\_ Skirt Option\*
- \_\_\_\_\_ Cutter Thread
- \_\_\_\_\_ Shaft Travel

Code	Shaft Travel
(Blank)	0.157in
ES	0.246in

Code	Cutter Thread
(Blank)	1/4-28
6	M6x1

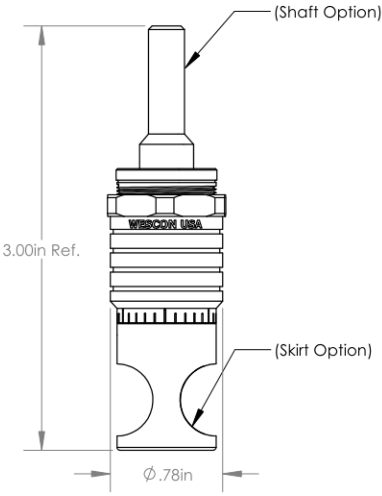
Code	Foot Style
N	Nylon

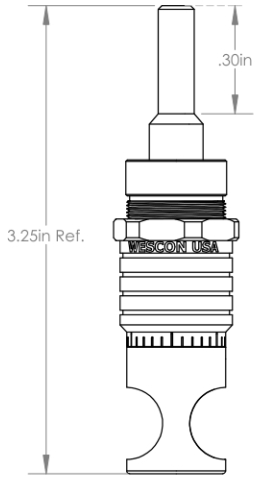
Code	Shaft Option
(Blank)	1/4in Standard Round
TF	Tri Flat
QC	Quick Change
TS	1/4-28in Threaded Shank

Incremental Adjustment: 0.0005 in  
 Material: Carbon Steel Body With Hardened Tool Steel Shaft

Bearing Rating: 10,000 rpm  
 Bearing Type: Dual Ball-Bearings  
 Dust Seal: Integrated Dust Seal  
 Heavy Duty Thrust Bearing: No  
 Solid Stop: Yes




**Standard**  
0.157in (4mm) Shaft Travel



**ES - Extended Stroke**  
0.246in (6mm) Shaft Travel

\*For Skirt options see next page and website.



**WESCON**

Part Number **WES396**

Revision 09

Do not modify, copy, distribute, or reproduce this drawing without prior written authorization.

© 2025 Wescon Industries Inc.  
601 Century Plaza Dr. Houston, TX 77073. US  
www.wesconusa.com

Wescon 396 Microstop

Image 1

### Skirt Option



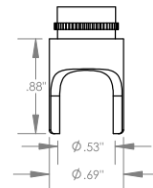
**S**  
Straight  
Cutter Ø1/2" (Ø12mm)



**I**  
Internal Thread\*  
Cutter Ø7/16" (Ø11mm)



**E**  
External Thread\*  
Cutter Ø1/2" (Ø12mm)



**S2L**  
2-Leg  
Cutter Ø1/2" (Ø12mm)



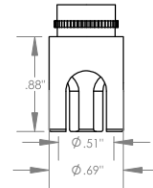
**SL**  
Slotted  
Cutter Ø1/2" (Ø12mm)



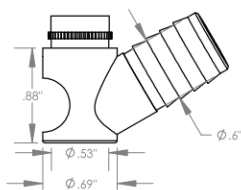
**SI**  
Slotted Internal Thread\*  
Cutter Ø7/16" (Ø11mm)



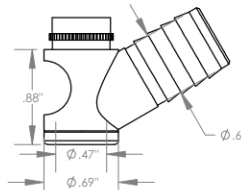
**SE**  
Slotted External Thread\*  
Cutter Ø1/2" (Ø12mm)



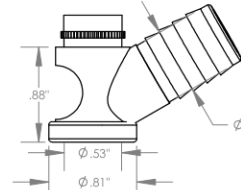
**S3L**  
3-Leg  
Cutter Ø1/2" (Ø12mm)



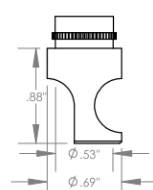
**WVS**  
Vacuum Straight  
Cutter Ø1/2" (Ø12mm)



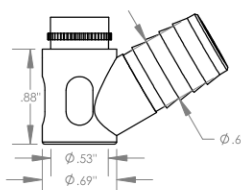
**WVI**  
Vacuum Internal Thread\*  
Cutter Ø7/16" (Ø11mm)



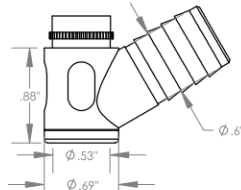
**WVE**  
Vacuum External Thread\*  
Cutter Ø1/2" (Ø12mm)



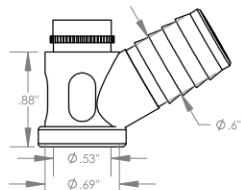
**SCA**  
Straight Cutaway  
Cutter Ø1/2" (Ø12mm)



**SVS**  
Slotted Vacuum Straight  
Cutter Ø1/2" (Ø12mm)



**SVI**  
Slotted Vacuum Internal Thread\*  
Cutter Ø7/16" (Ø11mm)



**SVE**  
Slotted Vacuum External Thread\*  
Cutter Ø1/2" (Ø12mm)

\*Select foot style from table

Revision 09

Do not modify, copy, distribute, or reproduce this drawing without prior written authorization.

All dimensions are in inches



© 2025 Wescon Industries Inc.  
601 Century Plaza Dr. Houston, TX 77073, US  
www.wesconusa.com

Information in this drawing is provided for reference only

Part Number

**WES396**

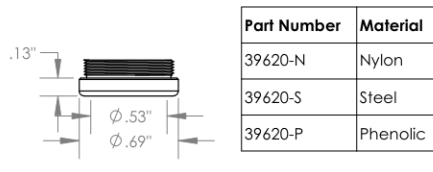
Wescon 396 Microstop

Image 2



Part Number	Material
39631-N	Nylon
39631-S	Steel
39631-P	Phenolic

**Foot Style For External Thread**



Part Number	Material
39620-N	Nylon
39620-S	Steel
39620-P	Phenolic

**Foot Style For Internal Thread**



Part Number

**WES396**

Do not modify, copy, distribute, or reproduce this drawing without prior written authorization.

© 2025 Wescon Industries Inc.  
601 Century Plaza Dr. Houston, TX 77073, US  
www.wesconusa.com

Wescon 396 Microstop

Revision 09

All dimensions are in Inches

Information in this drawing is provided for reference only

Image 3