

## DATASHEET

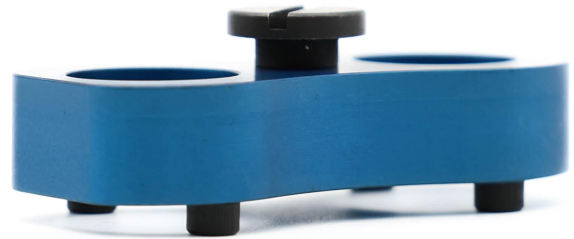
PART NUMBER

**WES5400-2-500**

**Wescon WES5400 SR Type Dog Bone Drill  
Guide 3/4"**

WEBSITE

<https://www.wesconusa.com/products/WES5400-2-500>



SR Type Dog Bone Drill Guide - used to guide drill in hand held drilling applications. Ergonomic design for superior positioning and alignment in order to drill perpendicular to the work surface. Nylon feet on each drill block to protect the drilling surface. Made from anodized aluminum for increased durability and wear resistance. To be used with standard slip/fixed type renewable drill bushings (sold separately).

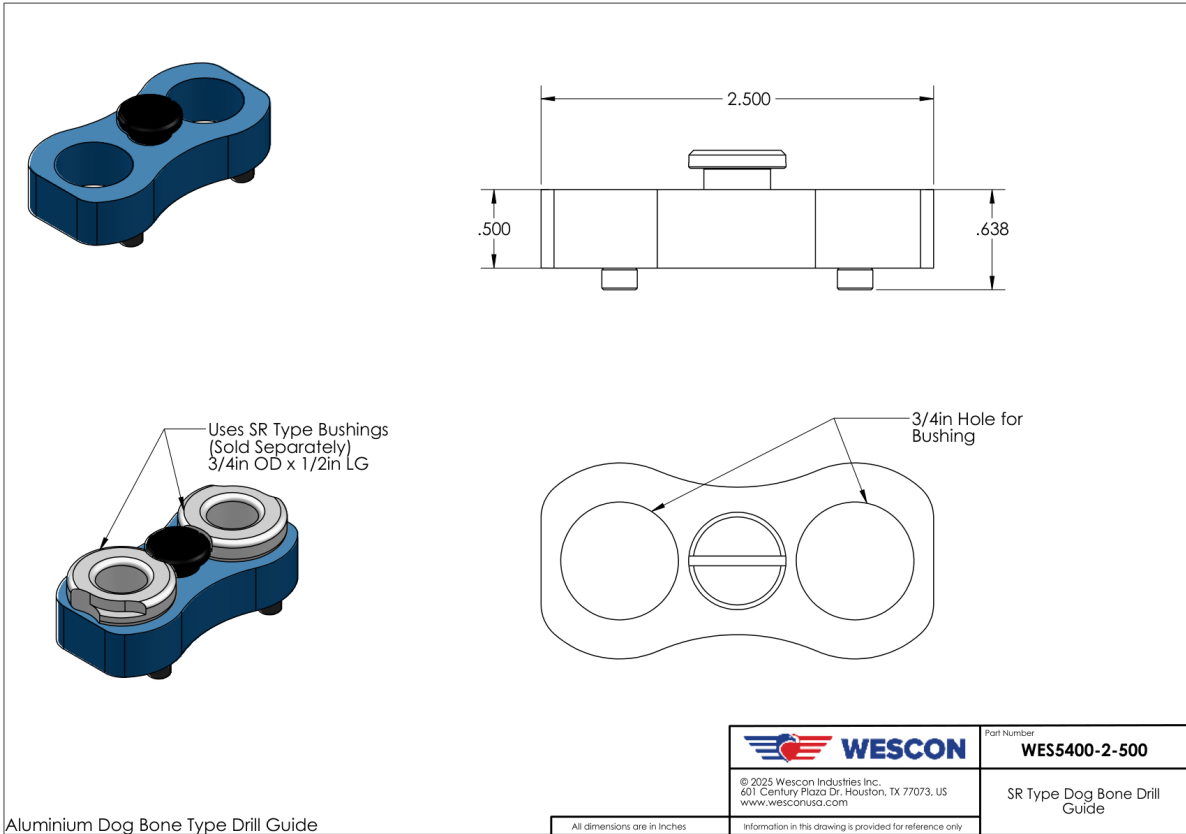
### SPECIFICATIONS

<b>Drill Bushing Size</b>	3/4"
<b>Height</b>	1/2"
<b>Material</b>	Anodized Aluminum
<b>Country of Origin</b>	USA

### ADDITIONAL IMAGES AND DRAWINGS

Additional product image

Image 1



Aluminium Dog Bone Type Drill Guide

Image 2