

DATASHEET

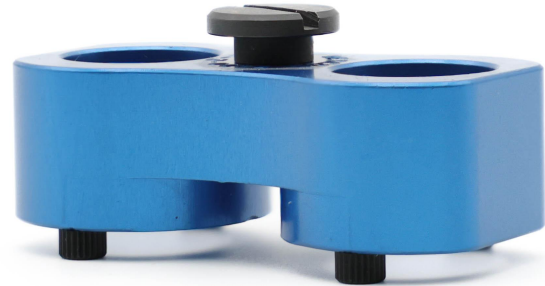
PART NUMBER

WES5400-2-750

**Wescon WES5400 SR Type Dog Bone Drill Guide
3/4"**

WEBSITE

<https://www.wesconusa.com/products/WES5400-2-750>



SR Type Dog Bone Drill Guide - used to guide drill in hand held drilling applications. Ergonomic design for superior positioning and alignment in order to drill perpendicular to the work surface. Nylon feet on each drill block to protect the drilling surface. Made from anodized aluminum for increased durability and wear resistance. To be used with standard slip/fixe type renewable drill bushings (sold separately).

SPECIFICATIONS

Drill Bushing Size	3/4"
Height	3/4"
Drill Bushing Type	SF Drill Bushing
Material	Anodized Aluminum
Country of Origin	USA

ADDITIONAL IMAGES AND DRAWINGS

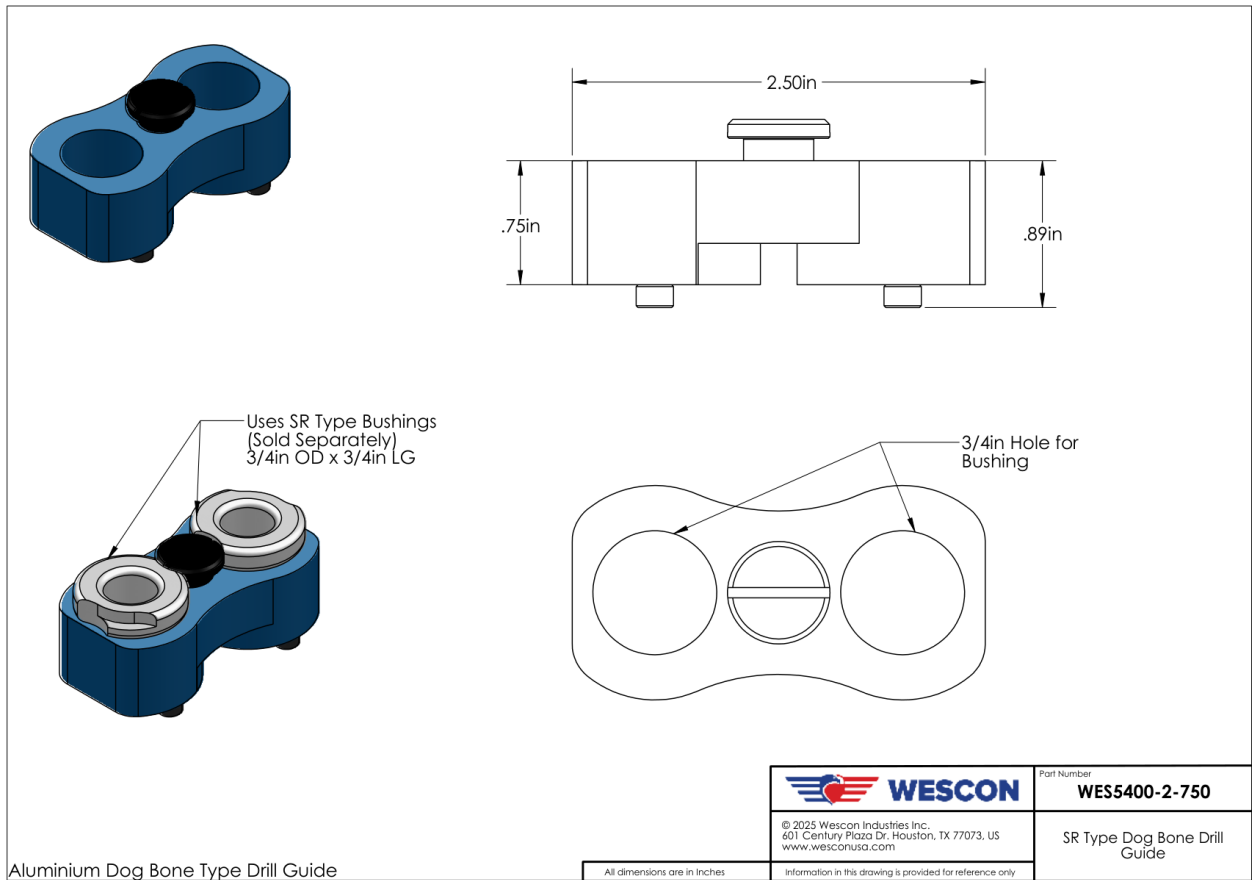


Image 1