

## DATASHEET

PART NUMBER

# WES5601

### Wescon WES5601 Threaded Type Mini Drill Guide - 3/8"-16 Threaded

3/8"-16 I.D. thread for use with WES5501 series bushings

WEBSITE

<https://www.wesconusa.com/products/WES5601>



Mini drill bushing holder for threaded drill bushings, to enable precise and stable drilling in tight or hard-to-reach spaces. Made from aerospace-grade anodized aluminum for superior strength and reliability, with tight tolerances for unparalleled precision.

## SPECIFICATIONS

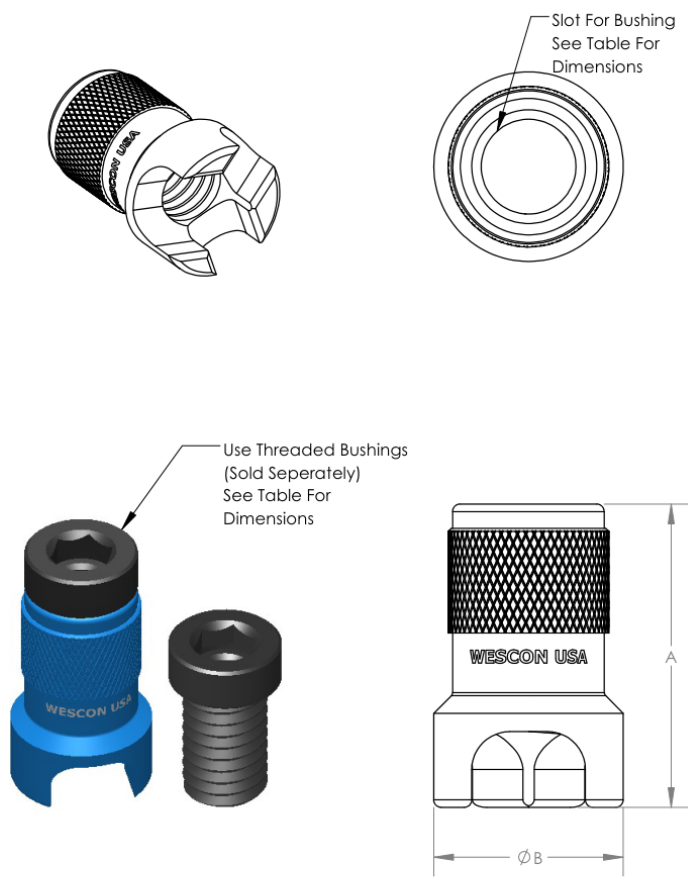
Drill Bushing Size	3/8"-16
Height	1.00"
Diameter	0.63"
Drill Bushing Type	Threaded Drill Bushing
Material	Anodized Aluminum
Country of Origin	USA

**ADDITIONAL IMAGES AND DRAWINGS**

**Threaded Mini Drill Guide Series**

Guide Type: Threaded Mini Drill Guide  
 Body Material: Anodized Aluminium

Part Number	A (OAL)	B (Ø)	Threaded Bushings	Wescon Bushing P/N
WES5601	1.00"	0.63"	3/8-16 Thread x 0.60" LG	WES5501 Series
WES5602	1.13"	0.75"	1/2-13 Thread x 0.60" LG	WES5502 Series



**Suggestion:**  
 Can Use Handle 5630 Series along with Drill Guide and Bushing  
 (Handle And Bushings Sold Separately) For Improved Handling

Revision 02	All dimensions are in Inches	 <p>© 2025 Wescon Industries Inc.                  601 Century Plaza Dr. Houston, TX 77073, US                  www.wesconusa.com</p>	Part Number	<b>WES5600 Series</b>
				Mini Drill Guide

Image 1