

DATASHEET

PART NUMBER

WES5701-A

Wescon 5701-A Egg Cup Drill Guide

Use with WES5501 or any standard 3/8"-16 threaded drill bushing of maximum ID 0.2570".

WEBSITE

<https://www.wesconusa.com/products/WES5701-A>



* The image represents the general look of the series. Actual product may vary based on options selected.

Portable hand held drill cup to enable accurate drilling in flat or curved surfaces. Choose our anodized aluminum drill cups for superior durability and performance, don't settle for plastic alternatives.

SPECIFICATIONS

Drill Bushing Size	3/8"-16
Height	1-7/16"
Diameter	1.00"
Drill Bushing Type	Threaded Drill Bushing
Material	Anodized Aluminum
Country of Origin	USA

ADDITIONAL IMAGES AND DRAWINGS

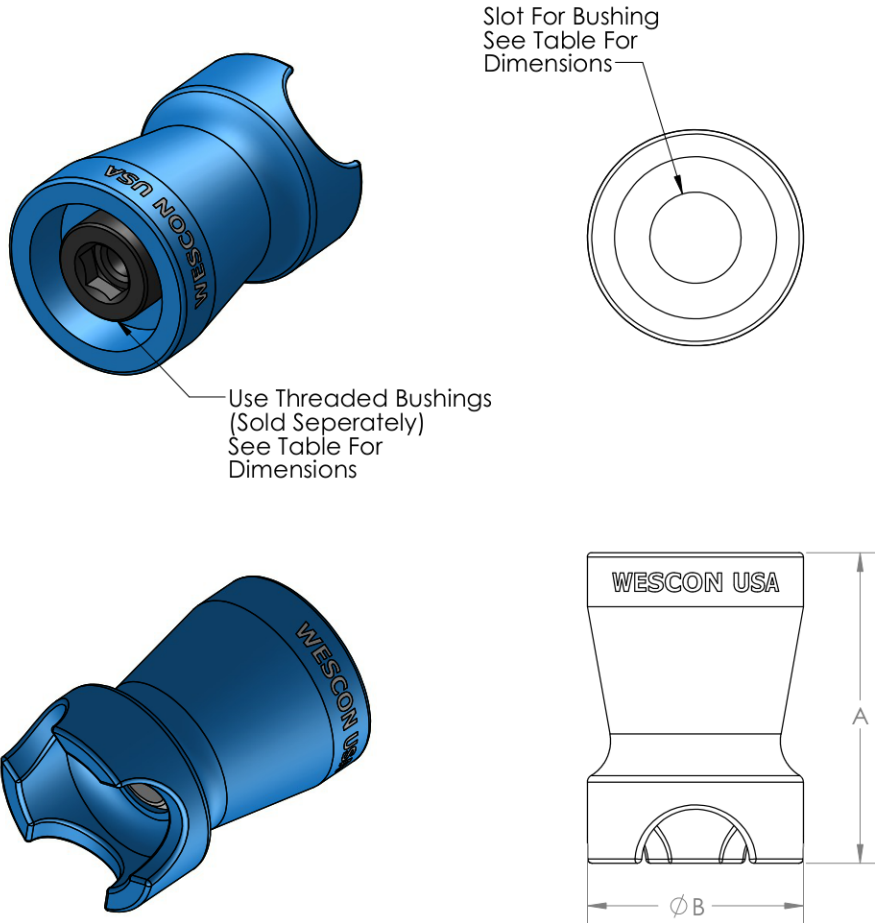


Image 0

Threaded Egg Cup Drill Guide Series

Guide Type: Threaded Egg Cup Drill Guide
 Body Material: Anodized Aluminium

Part Number	A (OAL)	B (Ø)	Threaded Bushings	Wescon Bushing P/N
WES5701-A	1.44in	1.00in	3/8"-16 Thread x 0.60in LG	WES5501 Series
WES5702-A	1.44in	1.20in	1/2"-13 Thread x 0.60in LG	WES5502 Series



Do not modify, copy, distribute, or reproduce this drawing without prior written authorization. © 2025 Wescon Industries Inc. 601 Century Plaza Dr. Houston, TX 77073, US www.wesconusa.com		Part Number WES5700 Series
	Egg Cup Drill Guide	
Revision 00	All dimensions are in Inches Information in this drawing is provided for reference only	

Image 1