

DATASHEET

PART NUMBER

WES5703-2-T

Wescon 5703-2-T Egg Cup Drill Guide

Use with 1/2" OD SR/SF Bushings. Tri-Pod base for added stability on curved surfaces.

WEBSITE

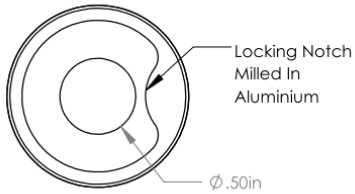
<https://www.wesconusa.com/products/WES5703-2-T>



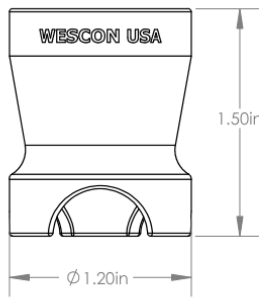
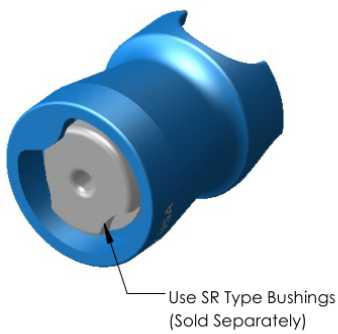
Portable hand held drill cup to enable accurate drilling in flat or curved surfaces. Choose our anodized aluminum drill cups for superior durability and performance, don't settle for plastic alternatives.

ADDITIONAL IMAGES AND DRAWINGS

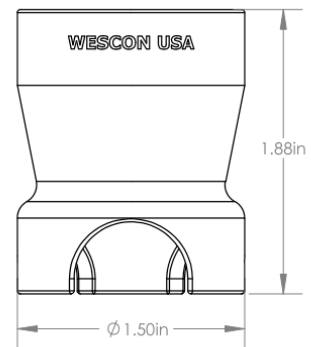
Slip Renewable Egg Cup Drill Guide Series



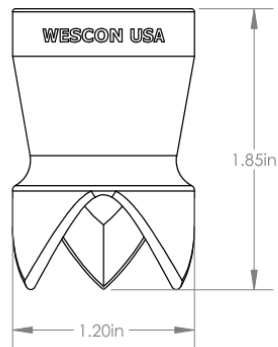
Guide Type: SR Bushing Egg Cup Drill Guide
 Body Material: Anodized Aluminium
 Bushing Size: SR Type 1/2in OD x 3/4in LG



WES5703-2-A
Standard 3-Foot Style



WES5703-2-A-L
Standard 3-Foot Style



WES5703-2-T
Tripod Style

Similar Products

WES5723 - With plastic feet options
 WES5601 - For threaded drill bushings

Revision 01

Do not modify, copy, distribute, or reproduce this drawing without prior written authorization.

All dimensions are in Inches



© 2025 Wescon Industries Inc.
 601 Century Plaza Dr. Houston, TX 77073, US
 www.wesconusa.com

Part Number

WES5703 Series

Egg Cup Drill Guide

Information in this drawing is provided for reference only

Image 1