

DATASHEET

PART NUMBER

WES5723-1-N

**Wescon WES5723-1 Egg Cup Style Drill Guide -
3-Leg Heavy Duty Plastic**

WEBSITE

<https://www.wesconusa.com/products/WES5723-1-N>



Portable handheld drill cup to enable accurate drilling in flat or curved surfaces. Choose our anodized aluminum drill cups for superior durability and performance; don't settle for plastic alternatives. Foot piece options include aluminum for maximum wear resistance or heavy duty plastic to protect the work surface from scratches.

SPECIFICATIONS

Drill Bushing Size	5/16" OD x 3/4" Len.
Height	1.40"
Foot Style	3-Leg Heavy Duty Plastic
Diameter	1.00"
Drill Bushing Type	SF Drill Bushing
Material	Anodized Aluminum
Country of Origin	USA

ADDITIONAL IMAGES AND DRAWINGS

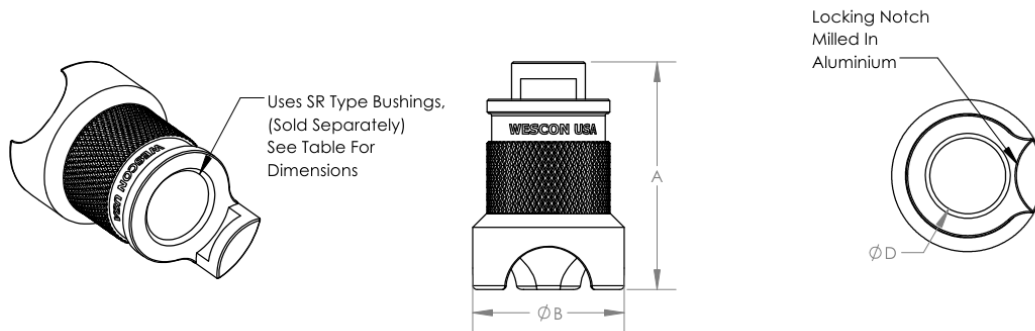


Image 1

WES5723 Series Drill Guide

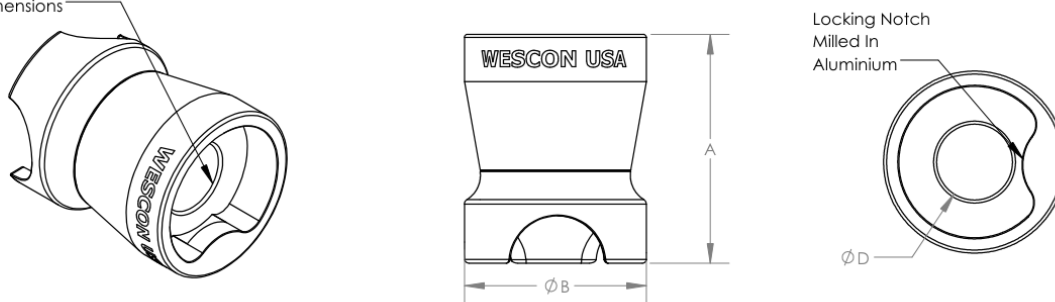
Part Number	A (OAL)	B (Ø)	D (Ø)	SR Bushing Size	Guide Type
WES5723	1.50"	1.00"	0.50"	1/2" OD x 3/4" LG	Mini Drill Guide 3 Leg
WES5723-2L	1.50"	1.00"	0.50"	1/2" OD x 3/4" LG	Mini Drill Guide 2 Leg
WES5723-1	1.4"	1.0"	0.31"	5/16" OD x 3/4" LG	Egg Cup Drill Guide
WES5723-2	1.5"	1.2"	0.50"	1/2" OD x 3/4" LG	Egg Cup Drill Guide
WES5723-2.5	2.0"	1.5"	0.50"	1/2" OD x 1" LG	Egg Cup Drill Guide
WES5723-3	2.0"	1.5"	0.75"	3/4" OD x 1" LG	Egg Cup Drill Guide

Mini Drill Guide



Uses SR Type Bushings,
(Sold Separately)
See Table For
Dimensions

Egg Cup Drill Guide



Part Number **WES5723 Series**

Do not modify, copy, distribute, or reproduce this drawing without prior written authorization.

© 2025 Wescon Industries Inc.
601 Century Plaza Dr. Houston, TX 77073, US
www.wesconusa.com

Drill guide

Revision 02 All dimensions are in Inches Information in this drawing is provided for reference only

Image 2

WES5723 Series Series Drill Guide



WES5723-A
Anodized Aluminium Body
3-Leg Foot



WES5723-2LA
Anodized Aluminium Body
2-Leg Foot



WES5723-N
Anodized Aluminium Body
3-Leg Heavy Duty Plastic Foot



WES5723-2LN
Anodized Aluminium Body
2-Leg Heavy Duty Plastic Foot



WES5723-1-A
Anodized Aluminium Body
and Foot



WES5723-2-A
Anodized Aluminium Body
and Foot



WES5723-2.5-A
Anodized Aluminium Body
and Foot



WES5723-3-A
Anodized Aluminium Body
and Foot



WES5723-1-N
Anodized Aluminium Body
Heavy Duty Plastic Foot



WES5723-2-N
Anodized Aluminium Body
Heavy Duty Plastic Foot



WES5723-2.5-N
Anodized Aluminium Body
Heavy Duty Plastic Foot



WES5723-3-N
Anodized Aluminium Body
Heavy Duty Plastic Foot



Part Number

WES5723 Series

Do not modify, copy, distribute, or reproduce this drawing without prior written authorization.

© 2025 Wescon Industries Inc.
601 Century Plaza Dr. Houston, TX 77073, US
www.wesconusa.com

Drill guide

Revision 02

All dimensions are in Inches

Information in this drawing is provided for reference only

Image 3