

## DATASHEET

PART NUMBER

**WES5723-A**

**Wescon WES5723 Mini Drill Guide - 3-Leg  
Anodized Aluminum**

WEBSITE

<https://www.wesconusa.com/products/WES5723-A>



Mini drill bushing holder for removable drill bushings, to enable precise and stable drilling in tight or hard-to-reach spaces. Made from aerospace-grade anodized aluminum for superior strength and reliability, with tight tolerances for unparalleled precision. Foot piece options include aluminum for maximum wear resistance or heavy duty plastic to protect the work surface from scratches.

## SPECIFICATIONS

<b>Drill Bushing Size</b>	1/2" OD x 3/4" Len.
<b>Height</b>	1.50"
<b>Foot Style</b>	3-Leg Anodized Aluminum
<b>Diameter</b>	1.00"
<b>Drill Bushing Type</b>	SF Drill Bushing
<b>Material</b>	Anodized Aluminum
<b>Country of Origin</b>	USA

ADDITIONAL IMAGES AND DRAWINGS

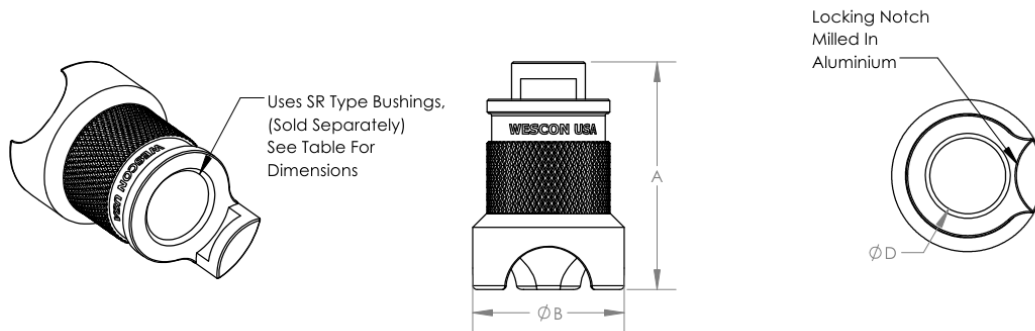


Image 1

### WES5723 Series Drill Guide

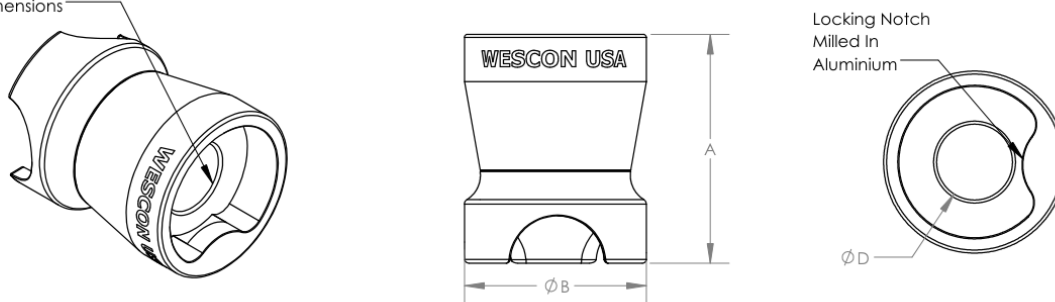
Part Number	A (OAL)	B (Ø)	D (Ø)	SR Bushing Size	Guide Type
WES5723	1.50"	1.00"	0.50"	1/2" OD x 3/4" LG	Mini Drill Guide 3 Leg
WES5723-2L	1.50"	1.00"	0.50"	1/2" OD x 3/4" LG	Mini Drill Guide 2 Leg
WES5723-1	1.4"	1.0"	0.31"	5/16" OD x 3/4" LG	Egg Cup Drill Guide
WES5723-2	1.5"	1.2"	0.50"	1/2" OD x 3/4" LG	Egg Cup Drill Guide
WES5723-2.5	2.0"	1.5"	0.50"	1/2" OD x 1" LG	Egg Cup Drill Guide
WES5723-3	2.0"	1.5"	0.75"	3/4" OD x 1" LG	Egg Cup Drill Guide

Mini Drill Guide



Uses SR Type Bushings,  
(Sold Separately)  
See Table For  
Dimensions

Egg Cup Drill Guide



Part Number

**WES5723 Series**

Do not modify, copy, distribute, or reproduce this drawing without prior written authorization.

© 2025 Wescon Industries Inc.  
601 Century Plaza Dr. Houston, TX 77073, US  
www.wesconusa.com

Drill guide

Revision 02

All dimensions are in Inches

Information in this drawing is provided for reference only

Image 2

## WES5723 Series Series Drill Guide



**WES5723-A**  
Anodized Aluminium Body  
3-Leg Foot



**WES5723-2LA**  
Anodized Aluminium Body  
2-Leg Foot



**WES5723-N**  
Anodized Aluminium Body  
3-Leg Heavy Duty Plastic Foot



**WES5723-2LN**  
Anodized Aluminium Body  
2-Leg Heavy Duty Plastic Foot



**WES5723-1-A**  
Anodized Aluminium Body  
and Foot



**WES5723-2-A**  
Anodized Aluminium Body  
and Foot



**WES5723-2.5-A**  
Anodized Aluminium Body  
and Foot



**WES5723-3-A**  
Anodized Aluminium Body  
and Foot



**WES5723-1-N**  
Anodized Aluminium Body  
Heavy Duty Plastic Foot



**WES5723-2-N**  
Anodized Aluminium Body  
Heavy Duty Plastic Foot



**WES5723-2.5-N**  
Anodized Aluminium Body  
Heavy Duty Plastic Foot



**WES5723-3-N**  
Anodized Aluminium Body  
Heavy Duty Plastic Foot



Part Number

**WES5723 Series**

Do not modify, copy, distribute, or reproduce this drawing without prior written authorization.

© 2025 Wescon Industries Inc.  
601 Century Plaza Dr. Houston, TX 77073, US  
www.wesconusa.com

Drill guide

Revision 02

All dimensions are in Inches

Information in this drawing is provided for reference only

Image 3