

DATASHEET

PART NUMBER

WES5800-1

Wescon WES5800 SR Type Adjustable Drill Bar - 1/2 in Bushing

SR-type adjustable drill bars, for 1/2" O.D. slip/fix-type bushings.

WEBSITE

<https://www.wesconusa.com/products/WES5800-1>



The WES5800 is a high-precision adjustable drill bar made in the USA from anodized aluminum. It holds 1/2" or 3/4" slip or fixed drill bushings securely, delivering clean, accurate holes every time. This tool, also known as a "snatch block" or "steam boat", is ideal for hole repair, reaming, and aligning fastener holes in aircraft sheet metal. Lightweight and easy to handle, it lets you line up the drill perfectly over existing or misaligned holes.

SPECIFICATIONS

Bushing Size	1/2 in
Bushing Type	SR/SF Drill Bushing
Bushing Length	1/2 in
Country of Origin	USA

ADDITIONAL IMAGES AND DRAWINGS



Image 1

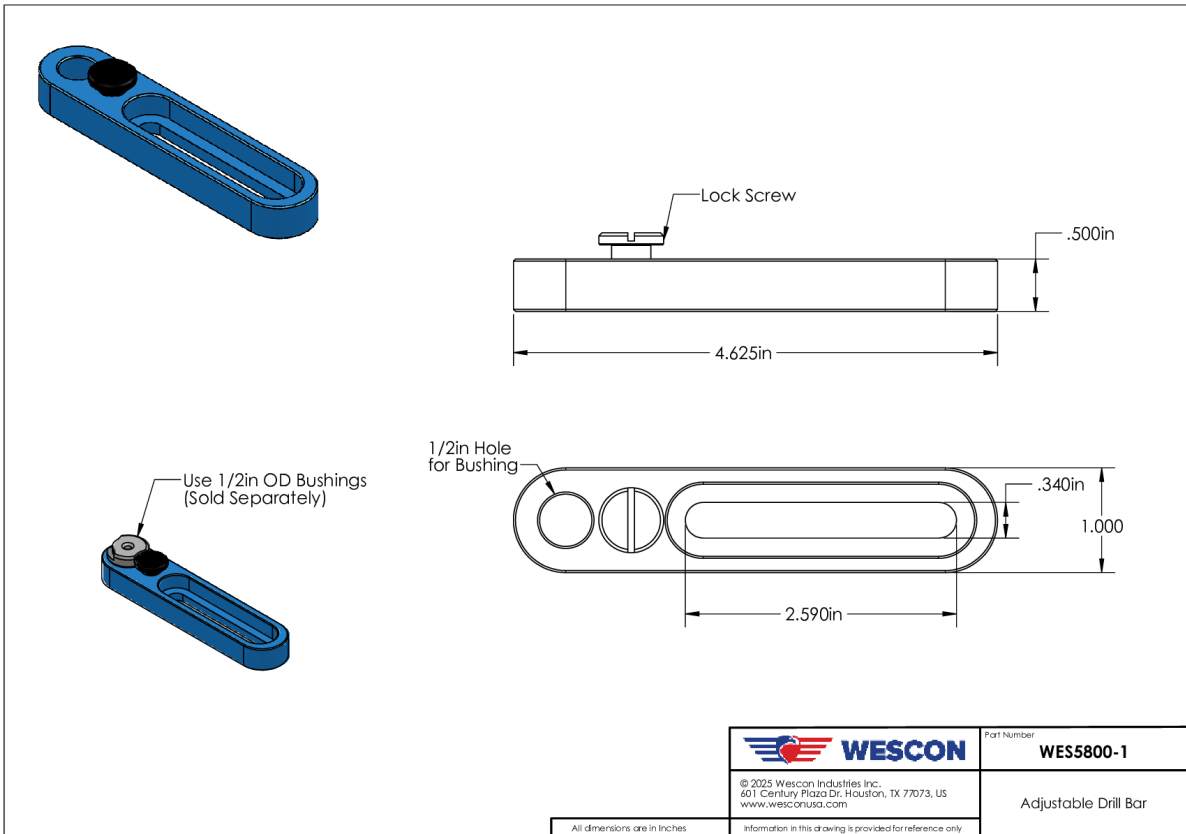


Image 2