

## DATASHEET

PART NUMBER

# WES5800-2

### Wescon WES5800 SR Type Adjustable Drill Bar - 3/4 in Bushing

SR-type adjustable drill bars, for 3/4" O.D. slip/fix-type bushings.

WEBSITE

<https://www.wesconusa.com/products/WES5800-2>



The WES5800 is a high-precision adjustable drill bar made in the USA from anodized aluminum. It holds 1/2" or 3/4" slip or fixed drill bushings securely, delivering clean, accurate holes every time. This tool, also known as a "snatch block" or "steam boat", is ideal for hole repair, reaming, and aligning fastener holes in aircraft sheet metal. Lightweight and easy to handle, it lets you line up the drill perfectly over existing or misaligned holes.

### SPECIFICATIONS

<b>Bushing Size</b>	3/4 in
<b>Bushing Type</b>	SR/SF Drill Bushing
<b>Bushing Length</b>	1/2 in
<b>Country of Origin</b>	USA

**ADDITIONAL IMAGES AND DRAWINGS**



Image 1

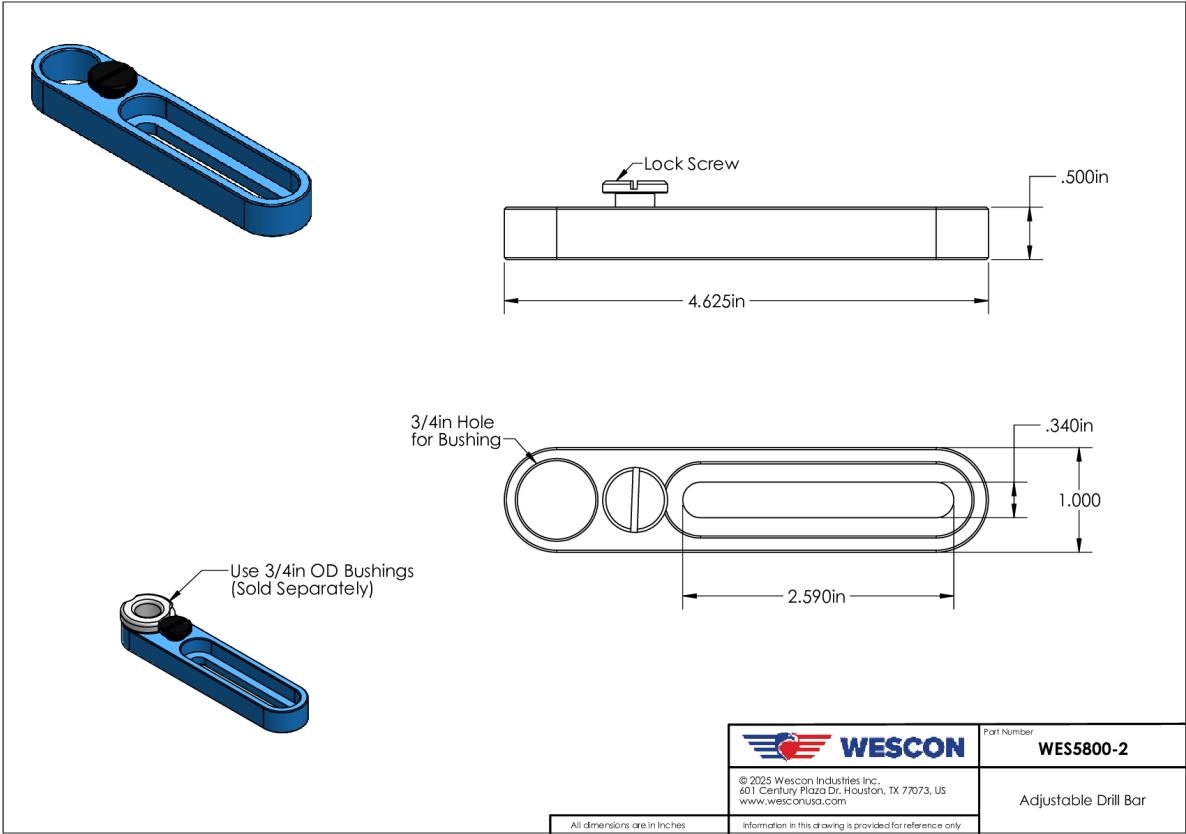


Image 2