

DATASHEET

PART NUMBER

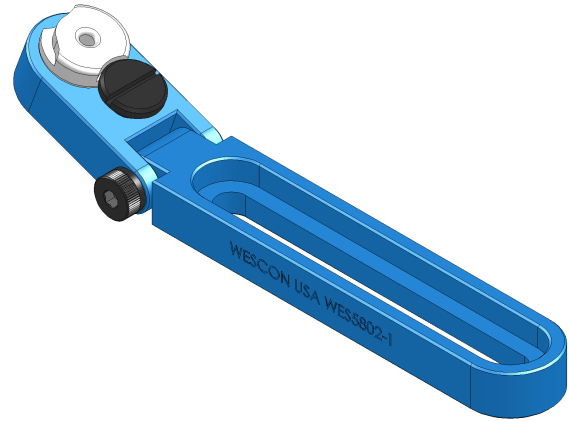
WES5802-1

Wescon WES5802 SR Type Adjustable Drill Bar - 1/2 in Bushing

SR-type adjustable drill bars with swivel head (up-down), for
1/2" O.D. slip/fix-type bushings

WEBSITE

<https://www.wesconusa.com/products/WES5802-1>



* The image represents the general look of the series. Actual product may vary based on options selected.

The WES5802 features an up-down swivel head for drilling at angles or in tight spots. Compatible with 1/2" and 3/4" SR/SF bushings, this adjustable drill bar, also known as a "snatch block" or "steam boat", keeps the bushing steady while letting you adjust the angle for accurate drilling. Made in the USA from anodized aluminum and engineered for accurate drilling, it's perfect for hole repair, reaming, or pulling misaligned fastener holes.

SPECIFICATIONS

Bushing Size	1/2 in
Bushing Type	SR/SF Drill Bushing
Bushing Length	1/2 in
Country of Origin	USA

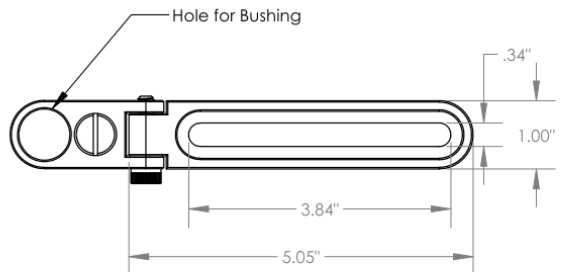
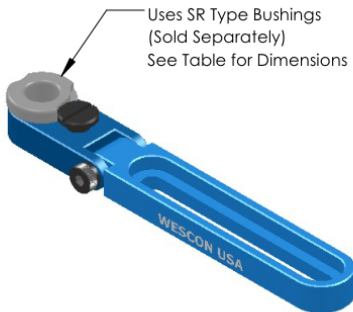
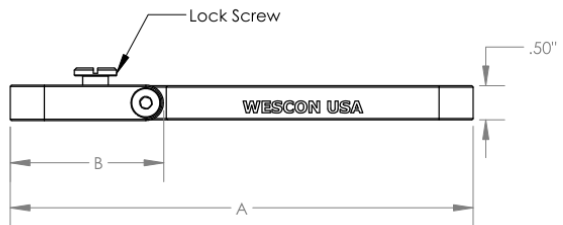
ADDITIONAL IMAGES AND DRAWINGS

WES5802 Series Drill Bar

Guide Type: SR Bushing Adjustable Drill Bar

Body Material: Anodized Aluminium

Part Number	A	B	SR Type Bushings
WES5802-1	6.55"	2.00"	1/2" OD x 1/2" LG
WES5802-2	6.79"	2.25"	3/4" OD x 1/2" LG



Similar Products:

View WES5902 series: For Drill Bar /w Threaded Bushing



Part Number

WES5802 Series

Do not modify, copy, distribute, or reproduce this drawing without prior written authorization.

© 2025 Wescon Industries Inc.
601 Century Plaza Dr. Houston, TX 77073, US
www.wesconusa.com

Adjustable Drill Bar

Revision 01

All dimensions are in Inches

Information in this drawing is provided for reference only

Image 1