

## DATASHEET

PART NUMBER

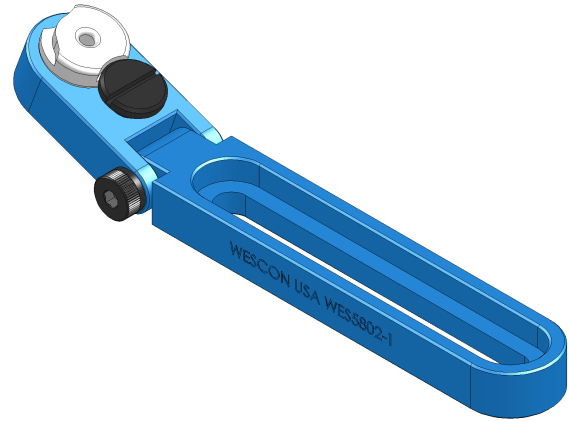
# WES5802-2

### Wescon WES5802 SR Type Adjustable Drill Bar - 3/4 in Bushing

SR-type adjustable drill bars with swivel head (up-down), for 3/4" O.D. slip/fix-type bushings.

WEBSITE

<https://www.wesconusa.com/products/WES5802-2>



\* The image represents the general look of the series. Actual product may vary based on options selected.

The WES5802 features an up-down swivel head for drilling at angles or in tight spots. Compatible with 1/2" and 3/4" SR/SF bushings, this adjustable drill bar, also known as a "snatch block" or "steam boat", keeps the bushing steady while letting you adjust the angle for accurate drilling. Made in the USA from anodized aluminum and engineered for accurate drilling, it's perfect for hole repair, reaming, or pulling misaligned fastener holes.

## SPECIFICATIONS

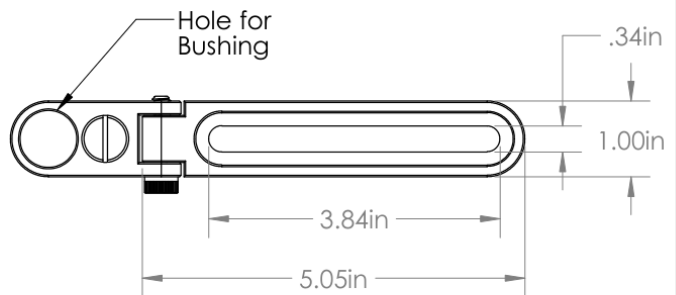
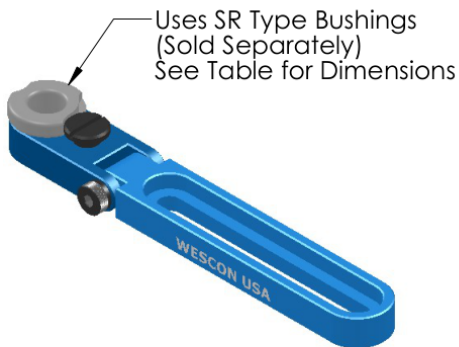
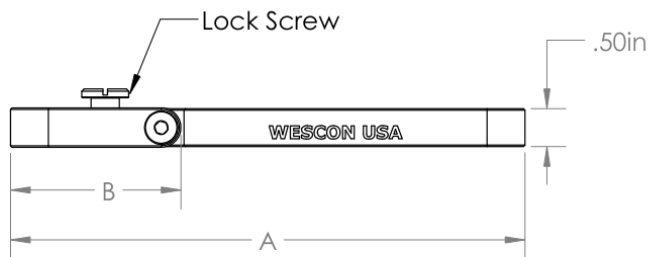
Bushing Size	3/4 in
Bushing Type	SR/SF Drill Bushing
Bushing Length	1/2 in
Country of Origin	USA

**ADDITIONAL IMAGES AND DRAWINGS**

**WES5802 Series Drill Bar**

Guide Type: SR Bushing Adjustable Drill Bar  
 Body Material: Anodized Aluminium

Part Number	A	B	SR Type Bushings
WES5802-1	6.55in	2.00in	1/2in OD x 1/2in LG
WES5802-2	6.79in	2.25in	3/4in OD x 1/2in LG



**Similar Products:**

View WES5902 series: For Drill Bar /w Threaded Bushing



Part Number **WES5802 Series**

Do not modify, copy, distribute, or reproduce this drawing without prior written authorization.

© 2025 Wescon Industries Inc.  
 601 Century Plaza Dr. Houston, TX 77073, US  
 www.wesconusa.com

Adjustable Drill Bar

Revision 00 All dimensions are in Inches Information in this drawing is provided for reference only

Image 1