

DATASHEET

PART NUMBER

WES5803-1

Wescon WES5803 SR Type Adjustable Drill Bar - 1/2 in Bushing

SR-type adjustable drill bars with swivel head (Left -right), for 1/2" O.D. slip/fix-type bushings.

WEBSITE

<https://www.wesconusa.com/products/WES5803-1>



The WES5803 adds left-right swivel adjustability for offset drilling or angled surfaces. It securely holds 1/2" and 3/4" bushings for precise guidance. This tight-tolerance adjustable drill bar, also called a "snatch block" or "steam boat", is made in the USA from anodized aluminum. Ideal for sheet metal repair, MRO work, or assembly jobs where accuracy is critical, even in tight spaces.

SPECIFICATIONS

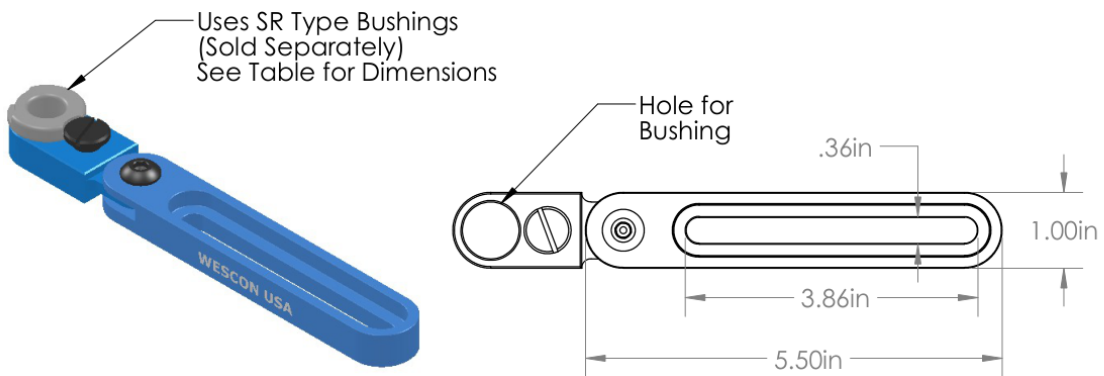
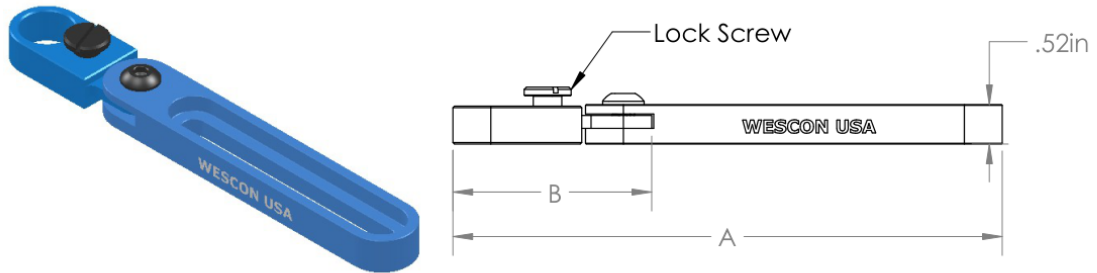
Bushing Size	1/2 in
Bushing Type	SR/SF Drill Bushing
Bushing Length	1/2 in
Country of Origin	USA

ADDITIONAL IMAGES AND DRAWINGS

WES5803 Series Drill Bar

Guide Type: SR Bushing Adjustable Drill Bar
 Body Material: Anodized Aluminium

Part Number	A	B	SR Type Bushings
WES5803-1	7.00in	2.50in	1/2in OD x 1/2in LG
WES5803-2	7.25in	2.75in	3/4in OD x 1/2in LG



Similar Products:

View WES5903 series: For Drill Bar /w Threaded Bushing



Part Number **WES5803 Series**

Do not modify, copy, distribute, or reproduce this drawing without prior written authorization.

© 2025 Wescon Industries Inc.
 601 Century Plaza Dr. Houston, TX 77073, US
 www.wesconusa.com

Adjustable Drill Bar

Revision 00 All dimensions are in Inches Information in this drawing is provided for reference only

Image 1