

DATASHEET

PART NUMBER

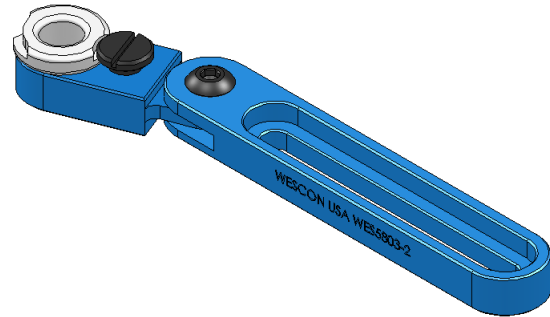
WES5803-2

Wescon WES5803 SR Type Adjustable Drill Bar - 3/4 in Bushing

SR-type adjustable drill bars with swivel head (Left -right), for 3/4" O.D. slip/fix-type bushings.

WEBSITE

<https://www.wesconusa.com/products/WES5803-2>



The WES5803 adds left-right swivel adjustability for offset drilling or angled surfaces. It securely holds 1/2" and 3/4" bushings for precise guidance. This tight-tolerance adjustable drill bar, also called a "snatch block" or "steam boat", is made in the USA from anodized aluminum. Ideal for sheet metal repair, MRO work, or assembly jobs where accuracy is critical, even in tight spaces.

SPECIFICATIONS

Bushing Size	3/4 in
Bushing Type	SR/SF Drill Bushing
Bushing Length	1/2 in
Country of Origin	USA

ADDITIONAL IMAGES AND DRAWINGS

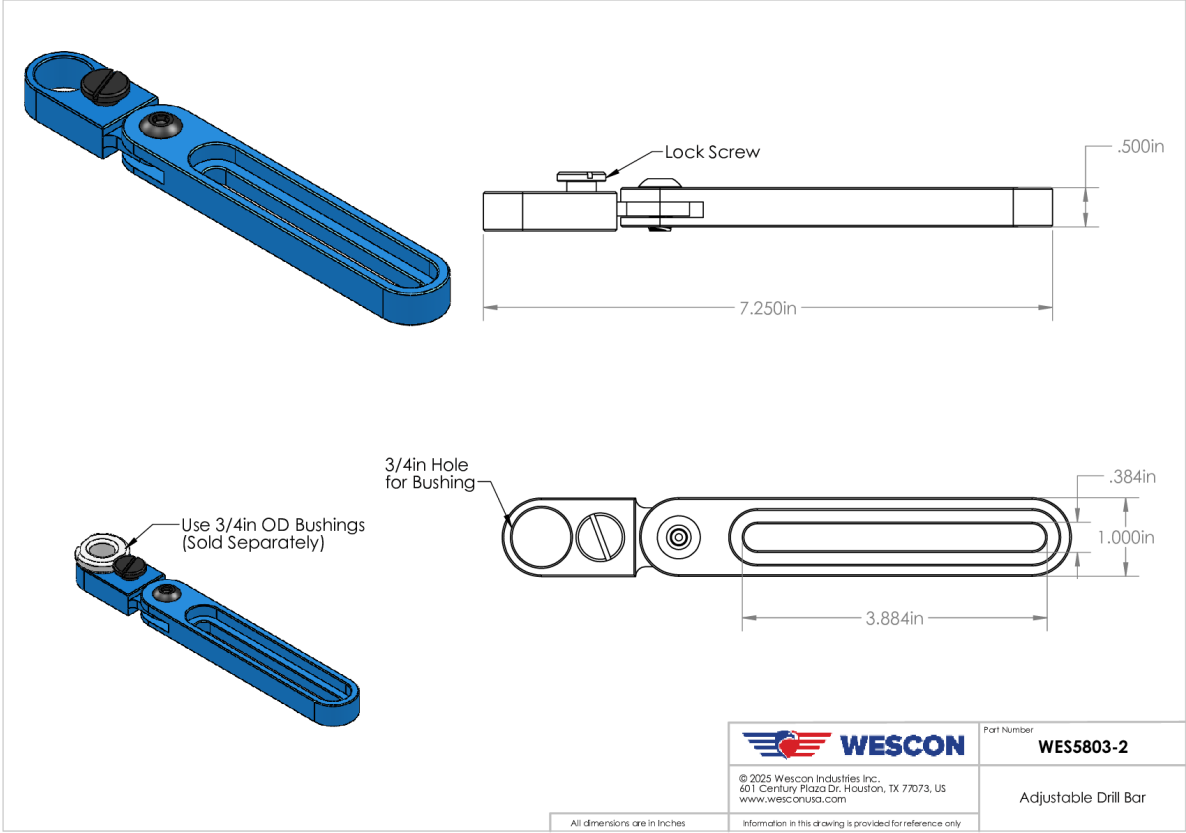


Image 1