

DATASHEET

PART NUMBER

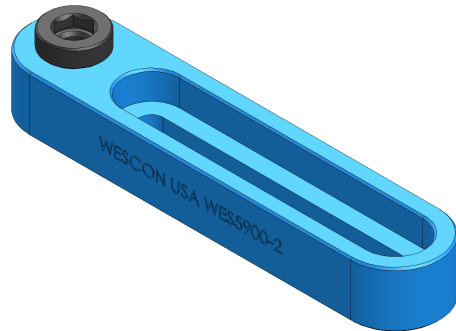
WES5900-2

Wescon WES5900 Threaded Type Adjustable Drill Bar - 1/2-13 Bushing

Adjustable drill bars for WES5502 series 1/2-13 thread bushings.

WEBSITE

<https://www.wesconusa.com/products/WES5900-2>



The WES5900 is built for WES5501 or any standard 3/8-16 OD threaded bushings and WES5502 or any standard 1/2-13 OD threaded bushings, providing a secure, precise fit. This high-precision adjustable drill bar, also known as a “snatch block” or “steam boat”, allows drilling, reaming, or pulling holes without wandering. Made in the USA from anodized aluminum and engineered for accurate drilling, it’s lightweight and easy to handle, ideal for aircraft assembly, maintenance, and structural repair.

SPECIFICATIONS

Bushing Size	1/2-13
Bushing Type	Threaded
Bushing Length	0.80 in
Country of Origin	USA

ADDITIONAL IMAGES AND DRAWINGS

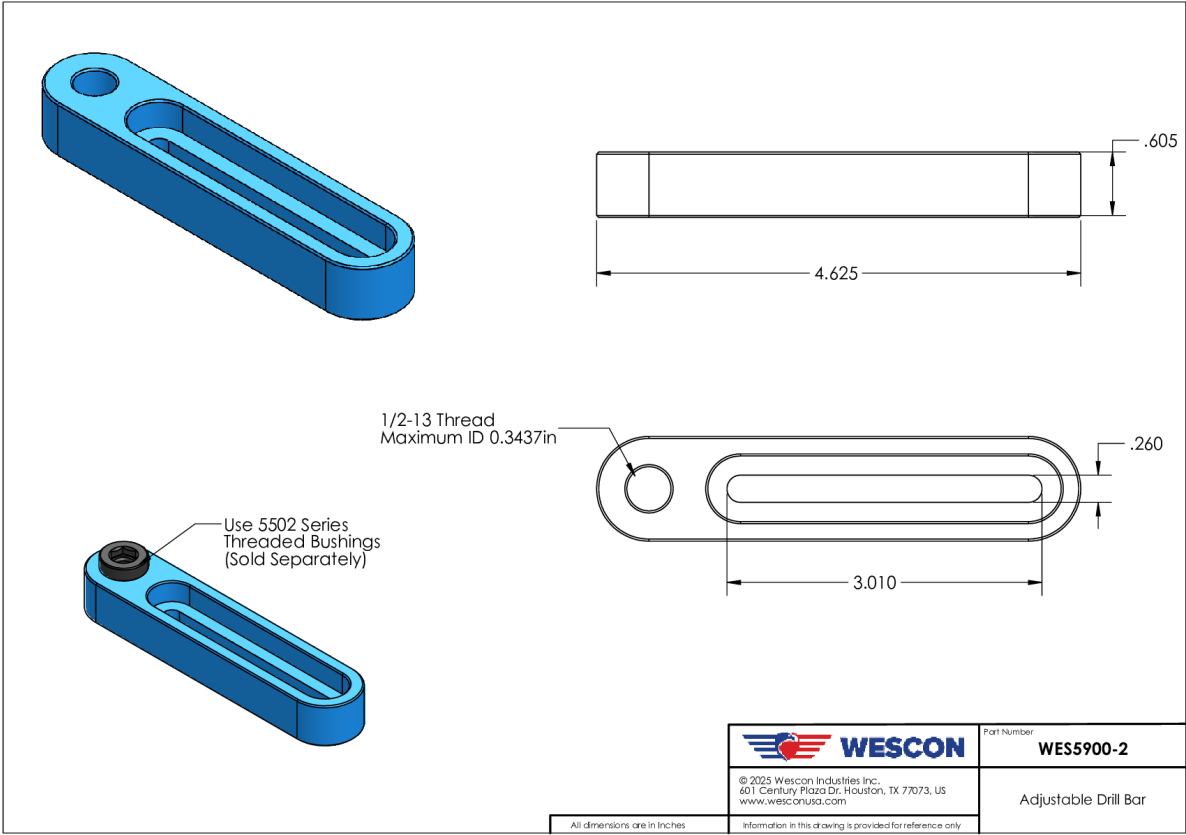


Image 1