

DATASHEET

PART NUMBER

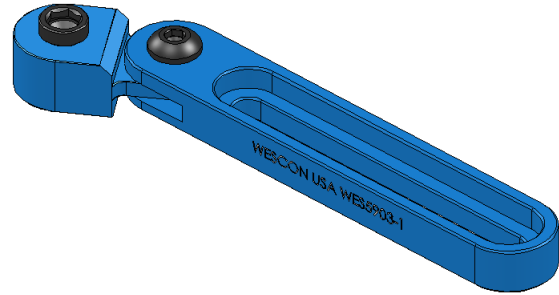
WES5903-2

Wescon WES5903 Threaded Type Adjustable Drill Bar - 1/2-13 Bushing

Adjustable drill bars with swivel head (left-right) for WES5502 series 1/2-13 thread bushings.

WEBSITE

<https://www.wesconusa.com/products/WES5903-2>



* The image represents the general look of the series. Actual product may vary based on options selected.

The WES5903 has a left-right swivel head for precise drilling over offset or angled holes. It works with WES5501 / 3/8-16 OD and WES5502 / 1/2-13 OD threaded bushings, giving flexibility without sacrificing stability. This high-precision adjustable drill bar, also known as a "snatch block" or "steam boat", is made in the USA from anodized aluminum. Perfect for aircraft sheet metal repair, structural hole alignment, and maintenance tasks where accuracy is critical.

SPECIFICATIONS

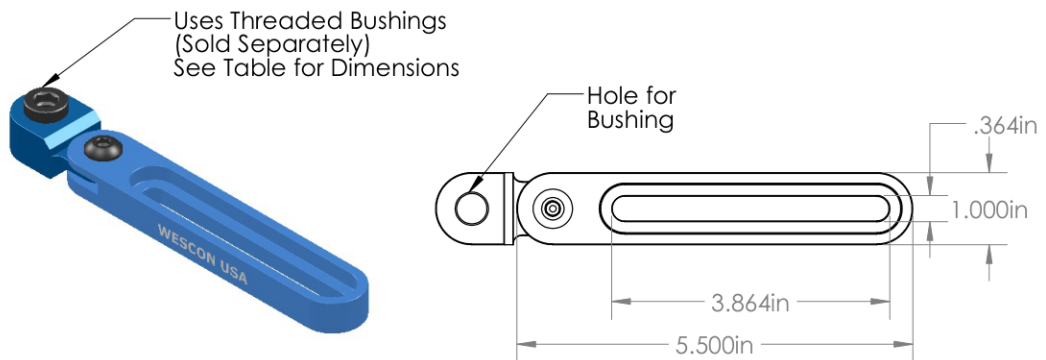
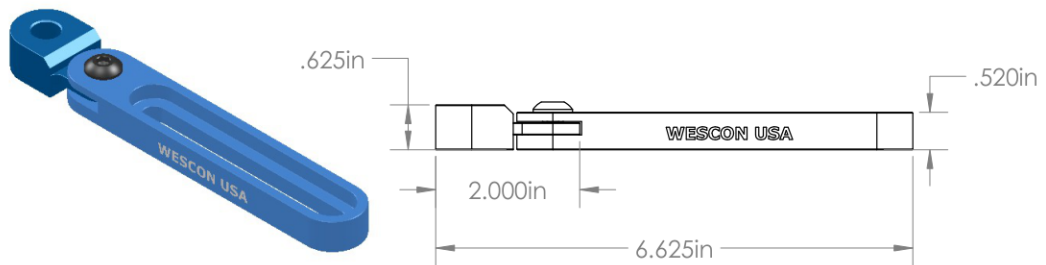
Bushing Size	1/2-13
Bushing Type	Threaded
Bushing Length	0.80 in
Country of Origin	USA

ADDITIONAL IMAGES AND DRAWINGS

WES5903 Series Drill Bar

Guide Type: Threaded Adjustable Drill Bar
 Body Material: Anodized Aluminium

Part Number	Threaded Bushings	Wescon Bushing P/N
WES5903-1	3/8"-16 Thread x 0.60in LG	WES5501 Series
WES5903-2	1/2"-13 Thread x 0.60in LG	WES5502 Series



Similar Products:
 View WES5803 Series: For Drill Bar /w SR Bushing



Part Number
WES5903 Series

Do not modify, copy, distribute, or reproduce this drawing without prior written authorization.

© 2025 Wescon Industries Inc.
 601 Century Plaza Dr. Houston, TX 77073. US
 www.wesconusa.com

Adjustable Drill Bar

Revision 01 All dimensions are in Inches Information in this drawing is provided for reference only

Image 1