

DATASHEET

PART NUMBER

WES596-6-ER14-QC

Wescon 596-ER Extended Reach - M6x1 - 12.7 mm Cutter Capacity - 5.00 in Length 1/2 in Cutter Capacity Nylon Foot

EXTENDED REACH UNITS

WEBSITE

<https://www.wesconusa.com/products/WES596-6-ER14-QC>



* The image represents the general look of the series. Actual product may vary based on options selected.

SPECIFICATIONS

Measurement Type	Metric
Bearing Rating	10,000 rpm
Bearing Type	Dual Ball Bearings
Heavy Duty Thrust Bearing	Yes
Incremental Adjustment	0.0005 in
Shaft Travel	0.300 in
Dust Seal	Integrated Dust Seal
Cutter Thread	M6x1
Shaft	Quick Change
Shaft Diameter	1/4 in
Cutter Capacity	12.7 mm
Skirt	5.00 in Length 1/2 in Cutter Capacity
Skirt Length	5.00 in
Skirt Description	0.688 in OD 12.7 mm Cutter Capacity
Foot	Nylon
Solid Stop	Yes
Material	Steel

Country of Origin

USA

ADDITIONAL IMAGES AND DRAWINGS

WES596 Extended Reach Series Microstop

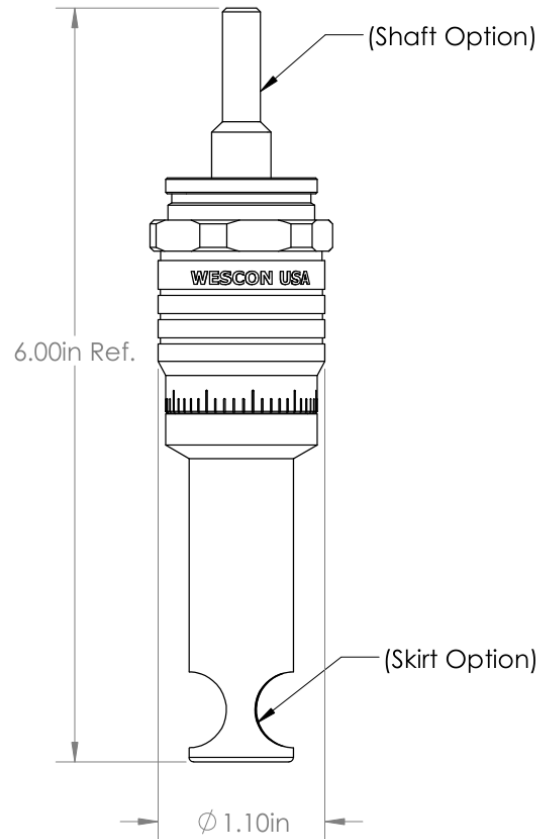


Part Number
WES596-X-XX-XX

Shaft Option
Skirt Option*
Cutter Thread

Code	Cutter Thread
(Blank)	1/4-28in
6	M6x1

Code	Shaft Option
(Blank)	1/4in standard Round
-QC	Quick Change
-TF	Tri Flat



Incremental Adjustment: 0.0005 in
Shaft Travel: 0.300 in
Material: Carbon Steel Body with Hardened Tool Steel Shaft

Bearing Rating: 10,000 rpm
Bearing Type: Dual Ball-Bearings
Dust Seal: Integrated Dust Seal
Heavy Duty Thrust Bearing: Yes
Solid Stop: Yes

*For Skirt options see next page and website.



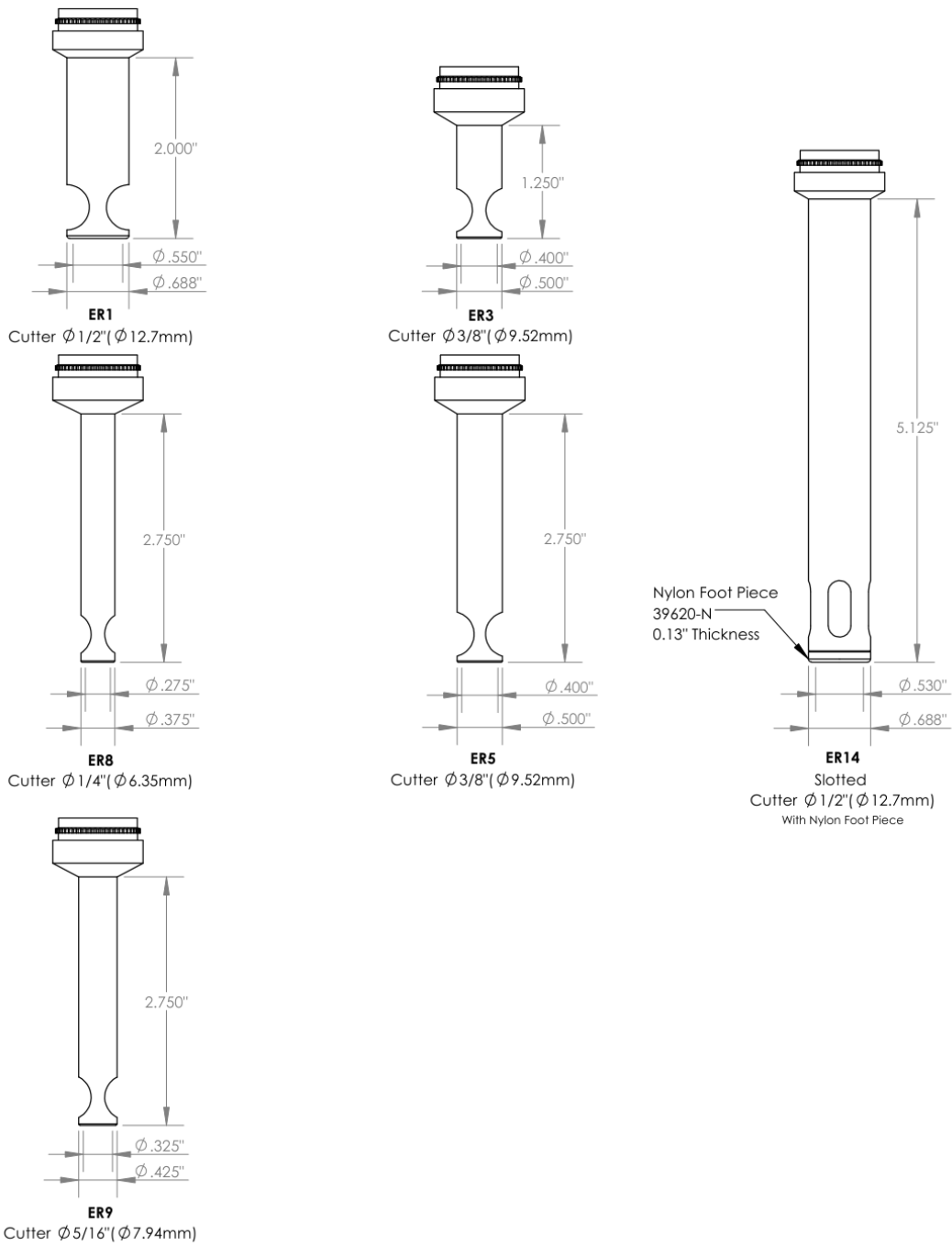
Part Number
WES596-ER

Revision 03	Do not modify, copy, distribute, or reproduce this drawing without prior written authorization.	© 2025 Wescon Industries Inc. 601 Century Plaza Dr. Houston, TX 77073, US www.wesconusa.com
	Information in this drawing is provided for reference only	

Wescon 596 Extended Reach Microstop

Image 1

Skirt Option



Part Number

WES596-ER

Do not modify, copy, distribute, or reproduce this drawing without prior written authorization.

© 2025 Wescon Industries Inc.
601 Century Plaza Dr. Houston, TX 77073, US
www.wesconusa.com

Wescon 596 Extended Reach Microstop

Revision 03

All dimensions are in Inches

Information in this drawing is provided for reference only

Image 2