

DATASHEET

PART NUMBER

WES596-6-ER3-TF

Wescon 596-ER Extended Reach - M6x1 - 9.52 mm Cutter Capacity - 1.25 in Length 3/8 in Cutter Capacity

EXTENDED REACH UNITS

WEBSITE

<https://www.wesconusa.com/products/WES596-6-ER3-TF>



* The image represents the general look of the series. Actual product may vary based on options selected.

SPECIFICATIONS

| | |
|---------------------------|---------------------------------------|
| Measurement Type | Metric |
| Bearing Rating | 10,000 rpm |
| Bearing Type | Dual Ball Bearings |
| Heavy Duty Thrust Bearing | Yes |
| Incremental Adjustment | 0.0005 in |
| Shaft Travel | 0.300 in |
| Dust Seal | Integrated Dust Seal |
| Cutter Thread | M6x1 |
| Shaft | Tri-Flat |
| Shaft Diameter | 1/4 in |
| Cutter Capacity | 9.52 mm |
| Skirt | 1.25 in Length 3/8 in Cutter Capacity |
| Skirt Length | 1.25 in |
| Skirt Description | 0.500 in OD 9.52 mm Cutter Capacity |
| Solid Stop | Yes |
| Material | Steel |
| Country of Origin | USA |

ADDITIONAL IMAGES AND DRAWINGS

WES596 Extended Reach Series Microstop

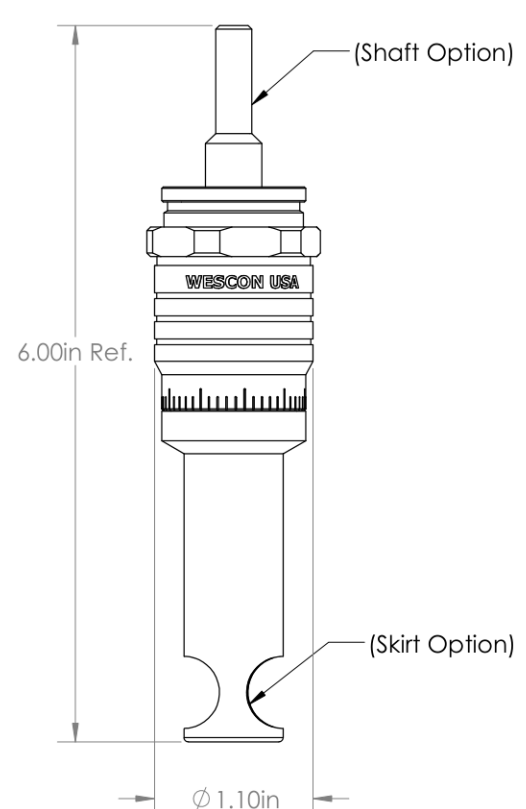


Part Number
WES596-X-XX-XX

- Shaft Option
- Skirt Option*
- Cutter Thread

| Code | Cutter Thread |
|---------|---------------|
| (Blank) | 1/4-28in |
| 6 | M6x1 |


| Code | Shaft Option |
|---------|----------------------|
| (Blank) | 1/4in standard Round |
| -QC | Quick Change |
| -TF | Tri Flat |



Incremental Adjustment: 0.0005 in
 Shaft Travel: 0.300 in
 Material: Carbon Steel Body with Hardened Tool Steel Shaft

Bearing Rating: 10,000 rpm
 Bearing Type: Dual Ball-Bearings
 Dust Seal: Integrated Dust Seal
 Heavy Duty Thrust Bearing: Yes
 Solid Stop: Yes

*For Skirt options see next page and website.



WESCON

Part Number
WES596-ER

Revision 03

Do not modify, copy, distribute, or reproduce this drawing without prior written authorization.

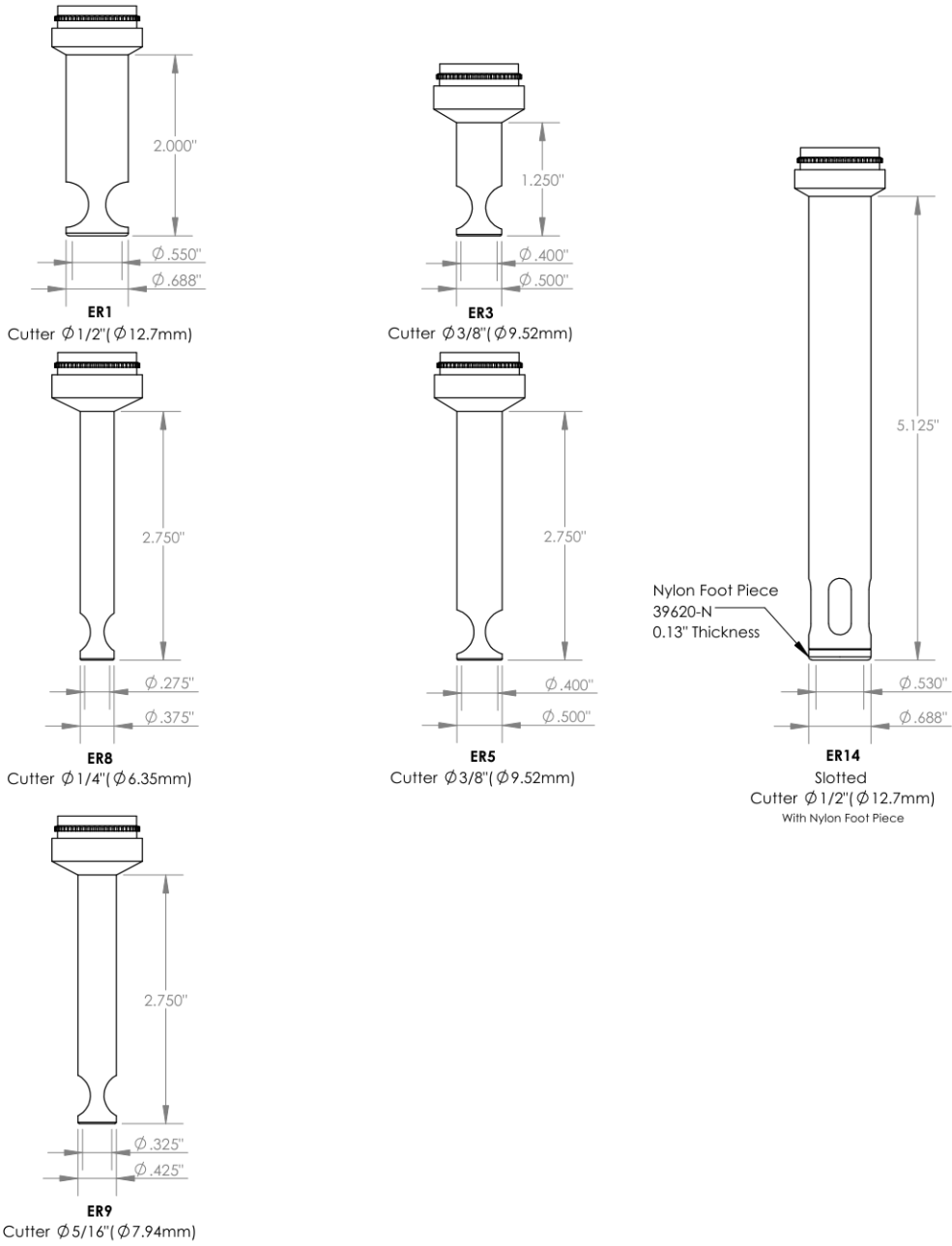
© 2025 Wescon Industries Inc.
 601 Century Plaza Dr. Houston, TX 77073. US
 www.wesconusa.com

All dimensions are in inches Information in this drawing is provided for reference only

Wescon 596 Extended Reach Microstop

Image 1

Skirt Option



| | | | |
|--|------------------------------|---|------------------|
|  | | Part Number | WES596-ER |
| <small>Do not modify, copy, distribute, or reproduce this drawing without prior written authorization.</small> | | Wescon 596 Extended Reach Microstop | |
| Revision 03 | All dimensions are in Inches | | |
| | | <small>Information in this drawing is provided for reference only</small> | |

Image 2