

DATASHEET

PART NUMBER

WES596-ER8-QC

Wescon 596-ER Extended Reach - 10-32 - 1/4"
Cutter Capacity - 2.75 in Length 1/4 in Cutter
Capacity

EXTENDED REACH UNITS

WEBSITE

<https://www.wesconusa.com/products/WES596-ER8-QC>




* The image represents the general look of the series. Actual product may vary based on options selected.

SPECIFICATIONS

Measurement Type	Imperial
Bearing Rating	10,000 rpm
Bearing Type	Dual Ball Bearings
Heavy Duty Thrust Bearing	Yes
Incremental Adjustment	0.0005 in
Shaft Travel	0.300 in
Dust Seal	Integrated Dust Seal
Cutter Thread	10-32
Shaft	Quick Change
Shaft Diameter	1/4 in
Cutter Capacity	1/4 in
Skirt	2.75 in Length 1/4 in Cutter Capacity
Skirt Length	2.75 in
Skirt Description	0.375 in OD 1/4 in Cutter Capacity
Solid Stop	Yes
Material	Steel
Country of Origin	USA

ADDITIONAL IMAGES AND DRAWINGS

WES596 Extended Reach Series Microstop



Part Number
WES596-X-XX-XX

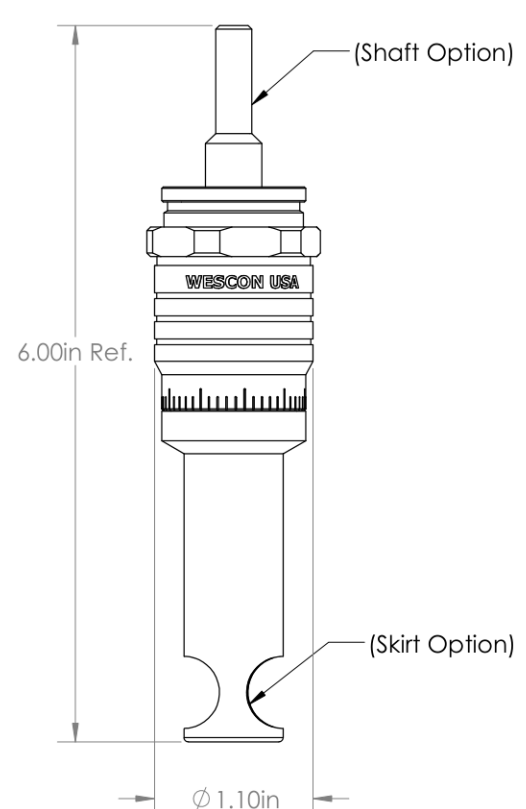
- Shaft Option
- Skirt Option*
- Cutter Thread

Code	Cutter Thread
(Blank)	1/4-28in
6	M6x1

Code	Shaft Option
(Blank)	1/4in standard Round
-QC	Quick Change
-TF	Tri Flat

Incremental Adjustment: 0.0005 in
 Shaft Travel: 0.300 in
 Material: Carbon Steel Body with Hardened Tool Steel Shaft

Bearing Rating: 10,000 rpm
 Bearing Type: Dual Ball-Bearings
 Dust Seal: Integrated Dust Seal
 Heavy Duty Thrust Bearing: Yes
 Solid Stop: Yes



6.00in Ref.

(Shaft Option)

(Skirt Option)

Ø 1.10in

WESCON USA

*For Skirt options see next page and website.

WESCON

© 2025 Wescon Industries Inc.
 601 Century Plaza Dr. Houston, TX 77073. US
 www.wesconusa.com

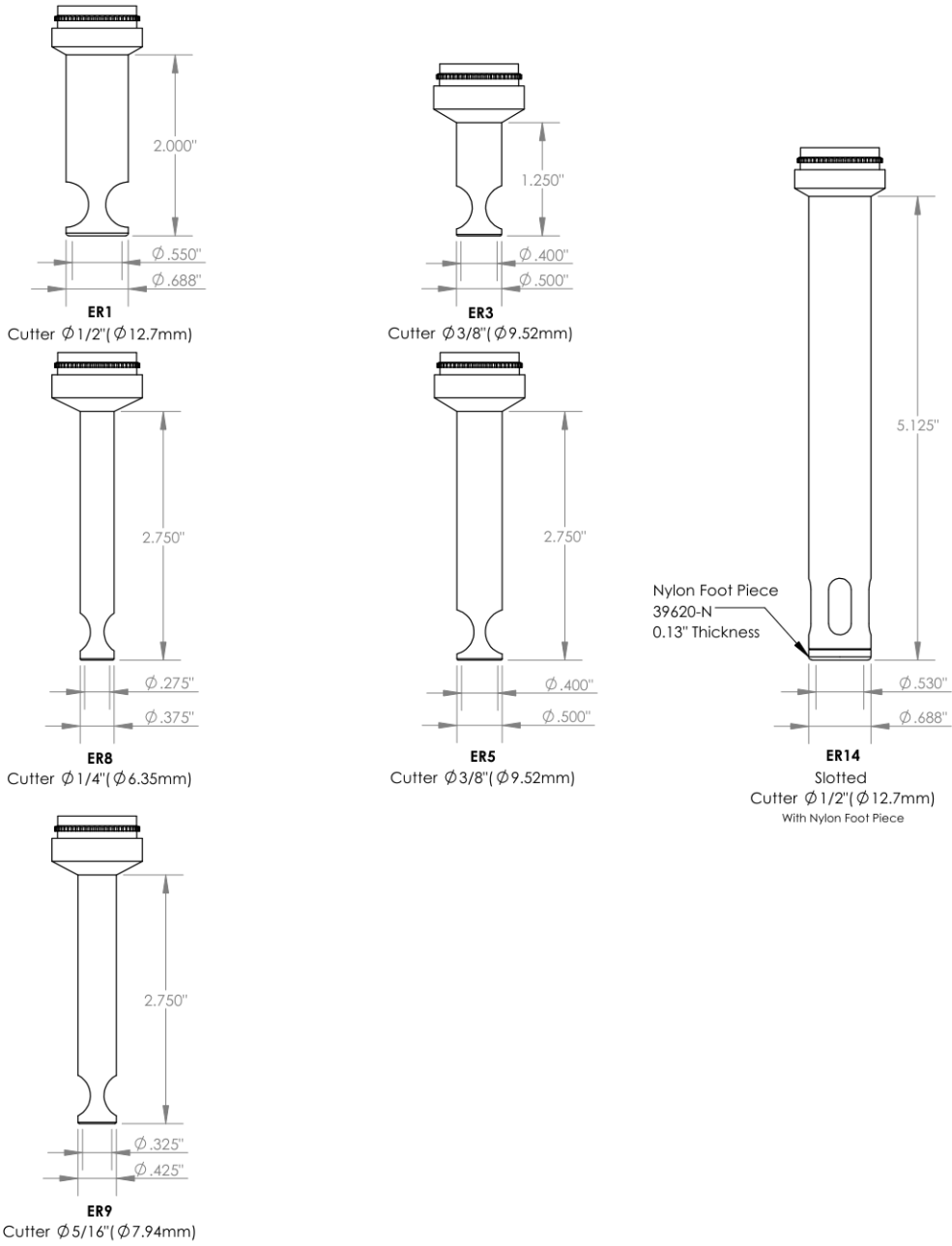
Part Number **WES596-ER**

Wescon 596 Extended Reach Microstop

Revision 03 All dimensions are in Inches Information in this drawing is provided for reference only

Image 1

Skirt Option



Part Number

WES596-ER

Do not modify, copy, distribute, or reproduce this drawing without prior written authorization.

© 2025 Wescon Industries Inc.
601 Century Plaza Dr. Houston, TX 77073, US
www.wesconusa.com

Wescon 596 Extended Reach Microstop

Revision 03

All dimensions are in Inches

Information in this drawing is provided for reference only

Image 2