

## DATASHEET

PART NUMBER

# WES596-ES-750-TL

**Wescon Taper Lok Microstop - 1/4-28 - 3/4" Cutter Capacity - Straight**

TAPER LOK MICROSTOP UNIT

WEBSITE

<https://www.wesconusa.com/products/WES596-ES-750-TL>



## SPECIFICATIONS

<b>Bearing Rating</b>	10,000 rpm
<b>Bearing Type</b>	Dual Ball Bearings
<b>Heavy Duty Thrust Bearing</b>	Yes
<b>Incremental Adjustment</b>	0.0005 in
<b>Shaft Travel</b>	3/4 in
<b>Dust Seal</b>	Integrated Dust Seal
<b>Cutter Thread</b>	1/4-28
<b>Shaft</b>	Tri-Flat
<b>Cutter Capacity</b>	3/4 in
<b>Skirt</b>	Straight
<b>Solid Stop</b>	Yes
<b>Material</b>	Steel
<b>Country of Origin</b>	USA

**ADDITIONAL IMAGES AND DRAWINGS**

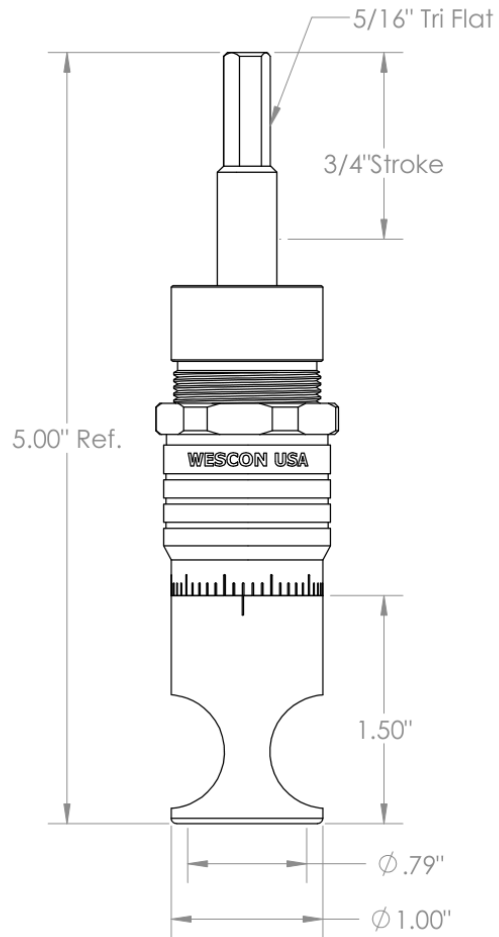


Image 1



Incremental Adjustment: 0.0005"  
 Shaft Travel: 3/4"  
 Cutter Thread: 1/4-28  
 Material: Carbon Steel Body with Hardened  
 Tool Steel Shaft

Bearing Rating: 10,000 rpm  
 Cutter Capacity: 3/4"  
 Bearing Type: Dual Ball Bearings  
 Dust Seal: Integrated Dust Seal  
 Heavy Duty Thrust Bearing  
 Solid Stop  
 Skirt: Straight



Part Number  
**WES596-ES-750-TL**

Do not modify, copy,  
 distribute, or reproduce  
 this drawing without prior  
 written authorization.

© 2025 Wescon Industries Inc.  
 601 Century Plaza Dr. Houston, TX 77073, US  
 www.wesconusa.com

Wescon 596 Taper Lok Long  
 Microstop

Revision 01 All dimensions are in Inches Information in this drawing is provided for reference only

Image 2