

## DATASHEET

PART NUMBER

### WES596-EXA-EN-TF

#### Wescon 596-EXA Extended Adjustment Microstop - 1/4-28 - 3/4" Cutter Capacity - External Nylon Foot

Extended skirt adjustment of .750 in for variable length cutters.

**WEBSITE**

<https://www.wesconusa.com/products/WES596-EXA-EN-TF>



\* The image represents the general look of the series. Actual product may vary based on options selected.

The Wescon 596-EXA Extended Adjustment Series Microstop features an extended skirt adjustment of .750 inches, making it ideal for applications requiring variable length cutters. This versatile design allows you to easily go from a Countersink Cutter, to the use of a Threaded Shank Drill or Reamer, Drill-Countersink, and even a short Spot-Facing Cutter, along with most everything in between.


## SPECIFICATIONS

<b>Measurement Type</b>	Imperial
<b>Bearing Rating</b>	10,000 rpm
<b>Bearing Type</b>	Dual Ball Bearings
<b>Heavy Duty Thrust Bearing</b>	Yes
<b>Incremental Adjustment</b>	0.0005 in
<b>Shaft Travel</b>	0.300 in
<b>Dust Seal</b>	Integrated Dust Seal
<b>Cutter Thread</b>	1/4-28
<b>Shaft</b>	Tri-Flat
<b>Shaft Diameter</b>	1/4 in
<b>Cutter Capacity</b>	3/4 in
<b>Skirt</b>	External Thread
<b>Skirt Description</b>	1-1/4 in OD 3/4 in Cutter Capacity
<b>Foot</b>	Nylon

<b>Solid Stop</b>	Yes
<b>Material</b>	Steel
<b>Country of Origin</b>	USA

**ADDITIONAL IMAGES AND DRAWINGS**

**WES596 Extended Adjustment Series Microstop**



**Part Number**  
WES596-EXA-XX-XX

- └─ Shaft Option
- └─ Foot Style
- └─ Skirt Option\*

**Extended skirt adjustment of .75 for variable length cutters**

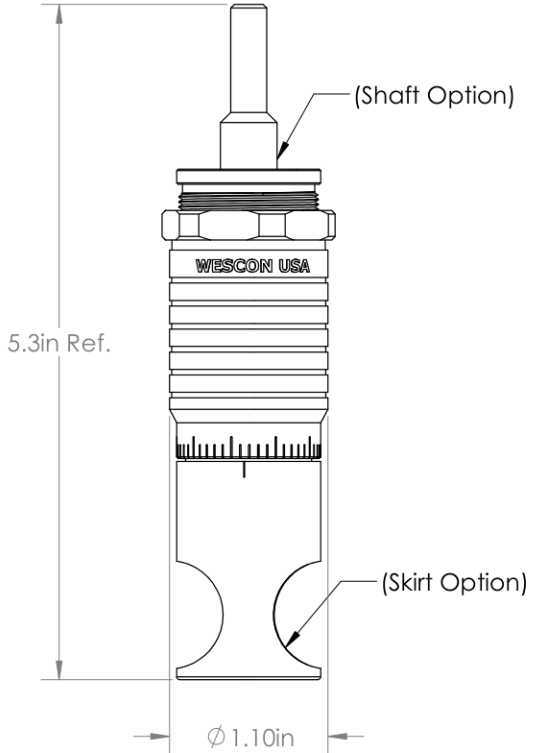
Code	Foot Style
N	Nylon
S	Steel
P	Phenolic

Code	Shaft Option
(Blank)	1/4in Standard Round
QC	Quick Change
TF	Tri Flat

Incremental Adjustment: 0.0005 in  
 Shaft Travel: 0.300 in  
 Cutter Thread: 1/4-28 in  
 Material: Carbon Steel Body with Hardened Tool Steel Shaft

Bearing Rating: 10,000 rpm  
 Bearing Type: Dual Ball-Bearings  
 Dust Seal: Integrated Dust Seal  
 Heavy Duty Thrust Bearing: Yes  
 Solid Stop: Yes



\*For Skirt options see next page and website.


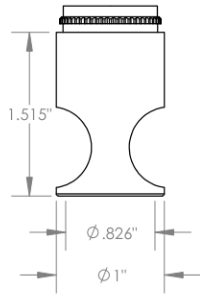
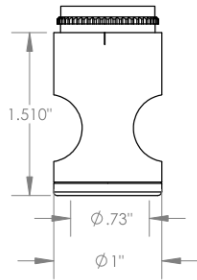
	Part Number <b>WES596-EXA</b>	
Do not modify, copy, distribute, or reproduce this drawing without prior written authorization.	© 2025 Wescon Industries Inc. 601 Century Plaza Dr. Houston, TX 77073, US www.wesconusa.com	Wescon 596 Extended Adjustment Microstop
Revision 04	All dimensions are in inches	Information in this drawing is provided for reference only

Image 1

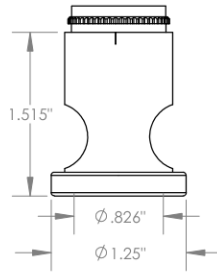
### Skirt Option



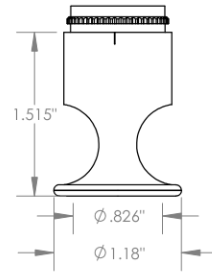
**S**  
Straight  
Cutter  $\phi 3/4$  ( $\phi 19$ mm)



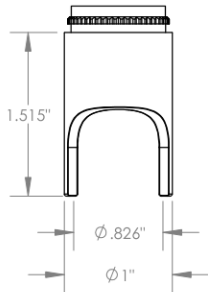
**I**  
Internal  
Thread  
Cutter  $\phi 5/8$  ( $\phi 15$ mm)  
Choose Foot Style From Table



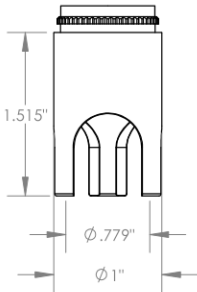
**E**  
External  
Thread  
Cutter  $\phi 3/4$  ( $\phi 19$ mm)  
Choose Foot Style From Table



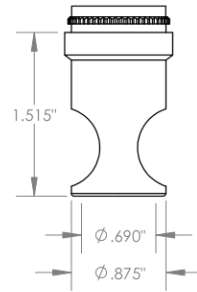
**F**  
Flanged  
Cutter  $\phi 3/4$  ( $\phi 19$ mm)



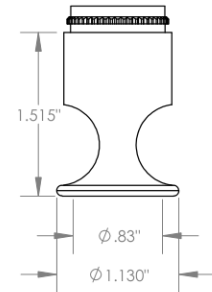
**S2L**  
2-Leg  
Cutter  $\phi 3/4$  ( $\phi 19$ mm)



**S3L**  
3-Leg  
Cutter  $\phi 3/4$  ( $\phi 19$ mm)

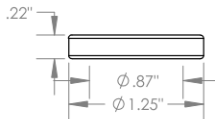


**S-875**  
Straight 0.875in OD  
Cutter  $\phi 5/8$  ( $\phi 15$ mm)



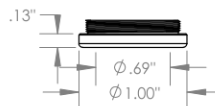
**F-1125**  
Flanged 1.125in OD  
Cutter  $\phi 3/4$  ( $\phi 19$ mm)

#### Foot Style For External Thread



Part Number	Material
59631-N	Nylon
59631-S	Steel
59631-P	Phenolic

#### Foot Style For Internal Thread



Part Number	Material
59620-N	Nylon
59620-S	Steel
59620-P	Phenolic



Part Number  
**WES596-EXA**

Do not modify, copy, distribute, or reproduce this drawing without prior written authorization.

© 2025 Wescon Industries Inc.  
601 Century Plaza Dr. Houston, TX 77073, US  
www.wesconusa.com

Wescon 596 Extended Adjustment  
Microstop

Revision 04 All dimensions are in Inches Information in this drawing is provided for reference only

Image 2