

## DATASHEET

PART NUMBER

# WES596-VIS

**Wescon 596 Microstop - 1/4-28 - 5/8" Cutter Capacity - Vacuum Skirt Internal Steel Foot**

HIGH SPEED HEAVY DUTY

WEBSITE

<https://www.wesconusa.com/products/WES596-VIS>



\* The image represents the general look of the series. Actual product may vary based on options selected.


## SPECIFICATIONS

<b>Measurement Type</b>	Imperial
<b>Bearing Rating</b>	10,000 rpm
<b>Bearing Type</b>	Dual Ball Bearings
<b>Heavy Duty Thrust Bearing</b>	Yes
<b>Incremental Adjustment</b>	0.0005 in
<b>Shaft Travel</b>	0.300 in
<b>Dust Seal</b>	Integrated Dust Seal
<b>Cutter Thread</b>	1/4-28
<b>Shaft</b>	Round
<b>Shaft Diameter</b>	1/4 in
<b>Cutter Capacity</b>	5/8 in
<b>Skirt</b>	Vacuum Internal Thread
<b>Skirt Description</b>	1 in OD 5/8 in Cutter Capacity
<b>Foot</b>	Steel
<b>Solid Stop</b>	Yes
<b>Material</b>	Steel
<b>Vacuum Adapter</b>	Yes

Country of Origin	USA
-------------------	-----

### ADDITIONAL IMAGES AND DRAWINGS

#### WES596 Series Microstop



**Part Number**  
WES596-X-XX-XX

- Shaft Option
- Foot Style
- Skirt Option\*
- Cutter Thread

Code	Cutter Thread
(Blank)	1/4-28
6	M6x1
8	M8x1

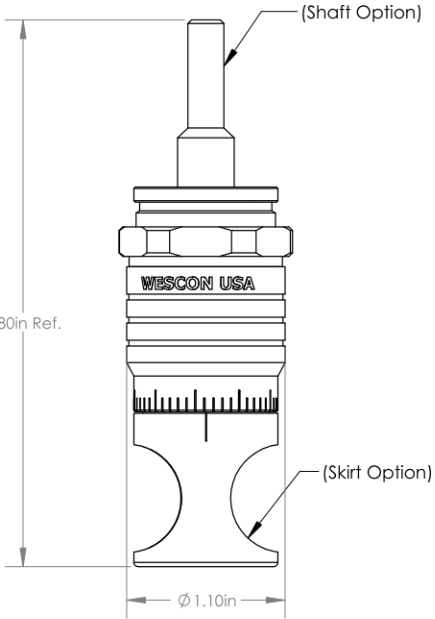
Code	Foot Style
N	Nylon
S	Steel
P	Phenolic

Code	Shaft Option
(Blank)	1/4in Standard Round
QC	Quick Change
TF	Tri Flat
TSL	1/4-28in Threaded Shank Long

Incremental Adjustment: 0.0005 in  
 Shaft Travel: 0.300 in  
 Material: Carbon Steel Body with Hardened Tool Steel Shaft

Bearing Rating: 10,000 rpm  
 Bearing Type: Dual Ball-Bearings  
 Dust Seal: Integrated Dust Seal  
 Heavy Duty Thrust Bearing: Yes  
 Solid Stop: Yes




(Shaft Option)

3.80in Ref.

(Skirt Option)

Ø 1.10in

\*For Skirt options see next page and website.



**WESCON**

Part Number

**WES596**

Revision 09

All dimensions are in inches

Information in this drawing is provided for reference only

© 2025 Wescon Industries Inc.  
 601 Century Plaza Dr. Houston, TX 77073, US  
 www.wesconusa.com

Wescon 596 Microstop

Image 1

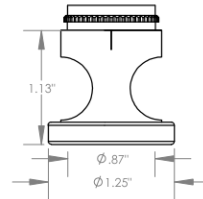
### Skirt Option



**S**  
Straight  
Cutter  $\phi 3/4"$  ( $\phi 19$ mm)



**I**  
Internal Thread\*  
Cutter  $\phi 5/8"$  ( $\phi 15$ mm)



**E**  
External Thread\*  
Cutter  $\phi 3/4"$  ( $\phi 19$ mm)



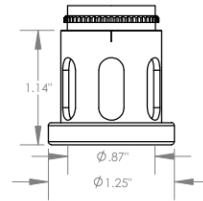
**SCA**  
Straight Cutaway  
Cutter  $\phi 3/4"$  ( $\phi 19$ mm)



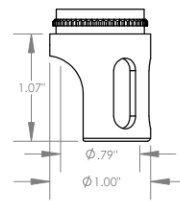
**SL**  
Slotted  
Cutter  $\phi 3/4"$  ( $\phi 19$ mm)



**SI**  
Slotted Internal Thread\*  
Cutter  $\phi 5/8"$  ( $\phi 15$ mm)



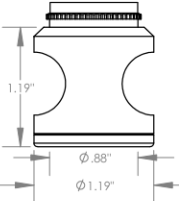
**SE**  
Slotted External Thread\*  
Cutter  $\phi 3/4"$  ( $\phi 19$ mm)



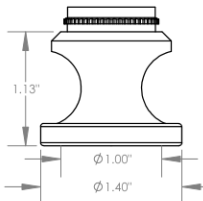
**SSCA**  
Slotted Straight Cutaway  
Cutter  $\phi 3/4"$  ( $\phi 19$ mm)



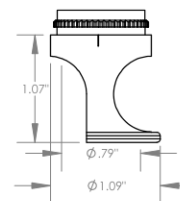
**B**  
Bell  
Cutter  $\phi 7/8"$  ( $\phi 22$ mm)



**BI**  
Bell Internal Thread\*  
Cutter  $\phi 3/4"$  ( $\phi 19$ mm)



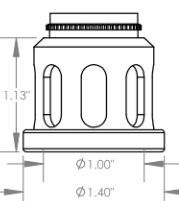
**BE**  
Bell External Thread\*  
Cutter  $\phi 7/8"$  ( $\phi 22$ mm)



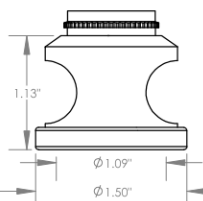
**FCA**  
Flanged Cutaway  
Cutter  $\phi 3/4"$  ( $\phi 19$ mm)



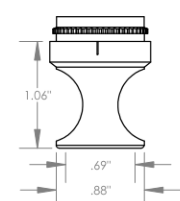
**SBI**  
Slotted Bell Internal Thread\*  
Cutter  $\phi 3/4"$  ( $\phi 19$ mm)



**SBE**  
Slotted Bell External Thread\*  
Cutter  $\phi 7/8"$  ( $\phi 22$ mm)



**BWE**  
Bell Wide External Thread\*  
Cutter  $\phi 1"$  ( $\phi 25$ mm)



**S-875**  
Straight 0.875 in OD  
Cutter  $\phi 5/8"$  ( $\phi 15$ mm)



Part Number

**WES596**

\*Select foot style from table  
Continued In Next Page.

Do not modify, copy, distribute, or reproduce this drawing without prior written authorization.

© 2025 Wescon Industries Inc.  
601 Century Plaza Dr. Houston, TX 77073, US  
www.wesconusa.com

Wescon 596 Microstop

Revision 09

All dimensions are in inches

Information in this drawing is provided for reference only

Image 2

**Skirt Option (Continuation)**



**F**  
Flanged  
Cutter  $\phi 3/4"$  ( $\phi 19$ mm)



**FH**  
Flanged High  
Cutter  $\phi 3/4"$  ( $\phi 19$ mm)



**SF**  
Spherical Flanged  
Cutter  $\phi 3/4"$  ( $\phi 19$ mm)



**F-1125**  
Flanged 1.125 in OD  
Cutter  $\phi 3/4"$  ( $\phi 19$ mm)



**C**  
Close Quarters  
Cutter  $\phi 3/8"$  ( $\phi 10$ mm)



**F2L**  
Flanged 2-Leg  
Cutter  $\phi 3/4"$  ( $\phi 19$ mm)



**S2L**  
2-Leg  
Cutter  $\phi 3/4"$  ( $\phi 19$ mm)



**S3L**  
3-Leg  
Cutter  $\phi 3/4"$  ( $\phi 19$ mm)



**WVI**  
Vacuum Internal Thread\*  
Cutter  $\phi 5/8"$  ( $\phi 15$ mm)



**WVE**  
Vacuum External Thread\*  
Cutter  $\phi 3/4"$  ( $\phi 19$ mm)



**SVI**  
Slotted Vacuum Internal Thread\*  
Cutter  $\phi 5/8"$  ( $\phi 15$ mm)



**SVE**  
Slotted Vacuum External Thread\*  
Cutter  $\phi 3/4"$  ( $\phi 19$ mm)



**WVS**  
Vacuum Straight  
Cutter  $\phi 3/4"$  ( $\phi 19$ mm)



**SVS**  
Slotted Vacuum Straight  
Cutter  $\phi 3/4"$  ( $\phi 19$ mm)

\*Select foot style from table

Revision 09

Do not modify, copy, distribute, or reproduce this drawing without prior written authorization.

All dimensions are in inches



© 2025 Wescon Industries Inc.  
601 Century Plaza Dr. Houston, TX 77073, US  
www.wesconusa.com

Part Number

**WES596**

Wescon 596 Microstop

Information in this drawing is provided for reference only

Image 3

### Skirt Option



**VS**  
Vacuum Straight  
Cutter  $\phi 3/4"$  ( $\phi 19\text{mm}$ )



**VE**  
Vacuum External Thread\*  
Cutter  $\phi 3/4"$  ( $\phi 19\text{mm}$ )



**VI**  
Vacuum Internal Thread\*  
Cutter  $\phi 5/8"$  ( $\phi 15\text{mm}$ )



**Foot Style For External Thread**

Part Number	Material
59631-N	Nylon
59631-S	Steel
59631-P	Phenolic



**Foot Style For Internal Thread**

Part Number	Material
59620-N	Nylon
59620-S	Steel
59620-P	Phenolic



**Foot Style For Bell External Thread**

Part Number	Material
59641-N	Nylon
59641-S	Steel
59641-P	Phenolic



**Foot Style For Bell Internal Thread**

Part Number	Material
59640-N	Nylon
59640-S	Steel
59640-P	Phenolic



**Foot Style For Bell Wide External Thread**

Part Number	Material
59651-N	Nylon
59651-S	Steel
59651-P	Phenolic

\*Select foot style from table

Revision 09

Do not modify, copy, distribute, or reproduce this drawing without prior written authorization.

All dimensions are in inches



© 2025 Wescon Industries Inc.  
601 Century Plaza Dr. Houston, TX 77073, US  
www.wesconusa.com

Part Number

**WES596**

Wescon 596 Microstop

Information in this drawing is provided for reference only

Image 4