

## DATASHEET

PART NUMBER

### WES597-8-SIS-TF

**Wescon 597 Stainless Steel Microstop - M8x1 -  
15 mm Cutter Capacity - Slotted Skirt Internal  
Steel Foot**

HIGH SPEED HEAVY DUTY STAINLESS STEEL

WEBSITE

<https://www.wesconusa.com/products/WES597-8-SIS-TF>




\* The image represents the general look of the series. Actual product may vary based on options selected.

## SPECIFICATIONS

Measurement Type	Metric
Bearing Rating	10,000 rpm
Bearing Type	Dual Ball Bearings
Heavy Duty Thrust Bearing	Yes
Incremental Adjustment	0.013 mm
Shaft Travel	7.60 mm
Dust Seal	Integrated Dust Seal
Cutter Thread	M8x1
Shaft	Tri-Flat
Shaft Diameter	6.35 mm
Cutter Capacity	15 mm
Skirt	Slotted Internal Thread
Skirt Description	25.4 mm OD 15 mm Cutter Capacity
Foot	Steel
Solid Stop	Yes
Material	Stainless Steel
Country of Origin	USA

## ADDITIONAL IMAGES AND DRAWINGS

### WES597 Series Microstop



**Part Number**  
WES597-X-XX-XX

- Shaft Option
- Foot Style
- Skirt Option\*
- Cutter Thread

Incremental Adjustment: 0.0005 in  
Shaft Travel: 0.300 in  
Material: Carbon Steel Body with Hardened Tool Steel Shaft

Bearing Rating: 10,000 rpm  
Bearing Type: Dual Ball-Bearings  
Dust Seal: Integrated Dust Seal  
Heavy Duty Thrust Bearing: Yes  
Solid Stop: Yes


Code	Cutter Thread
(Blank)	1/4-28
6	M6x1
8	M8x1

Code	Foot Style
N	Nylon
S	Steel
P	Phenolic


  

Code	Shaft Option
(Blank)	1/4" Standard Round
QC	Quick Change
TF	Tri Flat
TSL	1/4-28 Threaded Shank Long



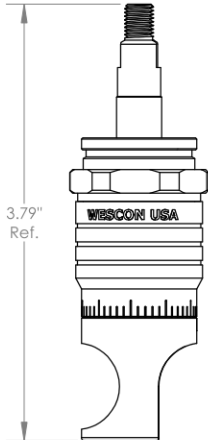
3.80" Ref.

WES597-S  
Microstop with  
1/4" Standard Shaft



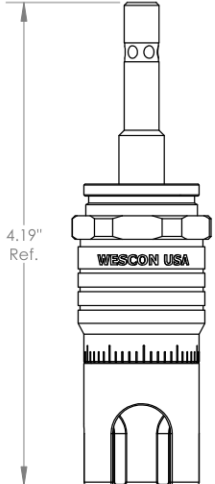
3.79" Ref.

WES597-SL-TF  
Microstop with  
Tri-Flat Shaft



3.79" Ref.


WES597-SCA-TSL  
Microstop with  
1/4-28 Threaded Shank Long Shaft



4.19" Ref.

WES597-S3L-QC  
Microstop with  
Quick Change shaft

\*For Skirt options see next page and website.



**WESCON**

© 2025 Wescon Industries Inc.  
601 Century Plaza Dr. Houston, TX 77073, US  
www.wesconusa.com

Part Number

**WES597**

Revision 07

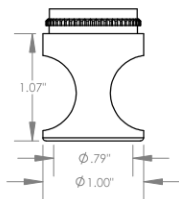
All dimensions are in inches

Information in this drawing is provided for reference only

Wescon 597 Microstop

Image 1

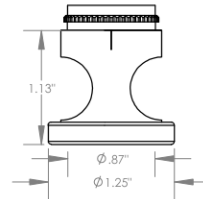
### Skirt Option



**S**  
Straight  
Cutter  $\phi 3/4$ " ( $\phi 19$ mm)



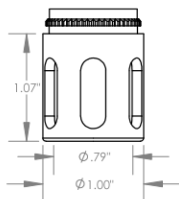
**I**  
Internal Thread\*  
Cutter  $\phi 5/8$ " ( $\phi 15$ mm)



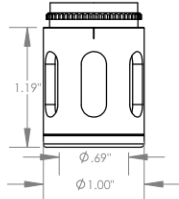
**E**  
External Thread\*  
Cutter  $\phi 3/4$ " ( $\phi 19$ mm)



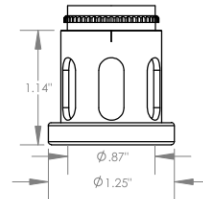
**SCA**  
Straight Cutaway  
Cutter  $\phi 3/4$ " ( $\phi 19$ mm)



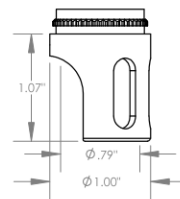
**SL**  
Slotted  
Cutter  $\phi 3/4$ " ( $\phi 19$ mm)



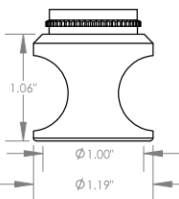
**SI**  
Slotted Internal Thread\*  
Cutter  $\phi 5/8$ " ( $\phi 15$ mm)



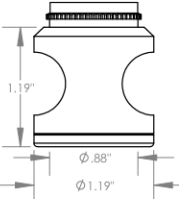
**SE**  
Slotted External Thread\*  
Cutter  $\phi 3/4$ " ( $\phi 19$ mm)



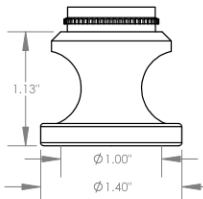
**SSCA**  
Slotted Straight Cutaway  
Cutter  $\phi 3/4$ " ( $\phi 19$ mm)



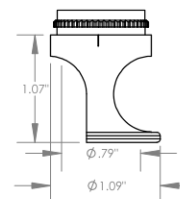
**B**  
Bell  
Cutter  $\phi 7/8$ " ( $\phi 22$ mm)



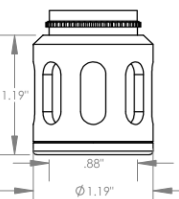
**BI**  
Bell Internal Thread\*  
Cutter  $\phi 3/4$ " ( $\phi 19$ mm)



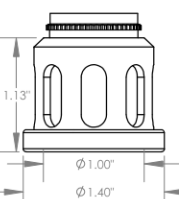
**BE**  
Bell External Thread\*  
Cutter  $\phi 7/8$ " ( $\phi 22$ mm)



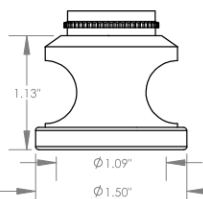
**FCA**  
Flanged Cutaway  
Cutter  $\phi 3/4$ " ( $\phi 19$ mm)



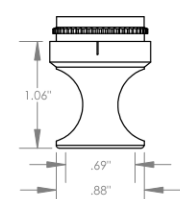
**SBI**  
Slotted Bell Internal Thread\*  
Cutter  $\phi 3/4$ " ( $\phi 19$ mm)



**SBE**  
Slotted Bell External Thread\*  
Cutter  $\phi 7/8$ " ( $\phi 22$ mm)



**BWE**  
Bell Wide External Thread\*  
Cutter  $\phi 1$ " ( $\phi 25$ mm)



**S-875**  
Straight 0.875 in OD  
Cutter  $\phi 5/8$ " ( $\phi 15$ mm)

\*Select foot style from table  
Continued In Next Page.

Revision 07

Do not modify, copy, distribute, or reproduce this drawing without prior written authorization.

All dimensions are in inches



© 2025 Wescon Industries Inc.  
601 Century Plaza Dr. Houston, TX 77073, US  
www.wesconusa.com

Information in this drawing is provided for reference only

Part Number

**WES597**

Wescon 597 Microstop

Image 2

### Skirt Option (Continuation)



**F**  
Flanged  
Cutter  $\Phi 3/4"$  ( $\Phi 19$ mm)



**FH**  
Flanged High  
Cutter  $\Phi 3/4"$  ( $\Phi 19$ mm)



**SF**  
Spherical Flanged  
Cutter  $\Phi 3/4"$  ( $\Phi 19$ mm)



**F-1125**  
Flanged 1.125 in OD  
Cutter  $\Phi 3/4"$  ( $\Phi 19$ mm)



**C**  
Close Quarters  
Cutter  $\Phi 3/8"$  ( $\Phi 10$ mm)



**F2L**  
Flanged 2-Leg  
Cutter  $\Phi 3/4"$  ( $\Phi 19$ mm)



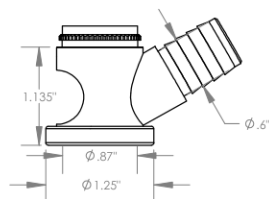
**S2L**  
2-Leg  
Cutter  $\Phi 3/4"$  ( $\Phi 19$ mm)



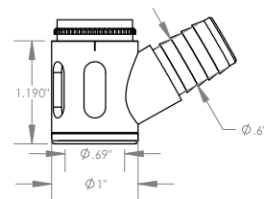
**S3L**  
3-Leg  
Cutter  $\Phi 3/4"$  ( $\Phi 19$ mm)



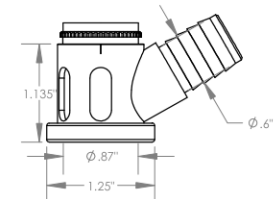
**WVI**  
Vacuum Internal Thread\*  
Cutter  $\Phi 5/8"$  ( $\Phi 15$ mm)



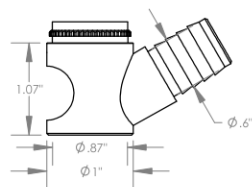
**WVE**  
Vacuum External Thread\*  
Cutter  $\Phi 3/4"$  ( $\Phi 19$ mm)



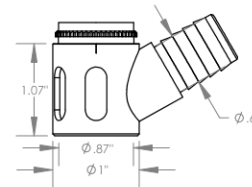
**SVI**  
Slotted Vacuum Internal Thread\*  
Cutter  $\Phi 5/8"$  ( $\Phi 15$ mm)



**SVE**  
Slotted Vacuum External Thread\*  
Cutter  $\Phi 3/4"$  ( $\Phi 19$ mm)



**WVS**  
Vacuum Straight  
Cutter  $\Phi 3/4"$  ( $\Phi 19$ mm)



**SVS**  
Slotted Vacuum Straight  
Cutter  $\Phi 3/4"$  ( $\Phi 19$ mm)

\*Select foot style from table

Revision 07

Do not modify, copy, distribute, or reproduce this drawing without prior written authorization.

All dimensions are in inches



© 2025 Wescon Industries Inc.  
601 Century Plaza Dr. Houston, TX 77073, US  
www.wesconusa.com

Part Number

**WES597**

Wescon 597 Microstop

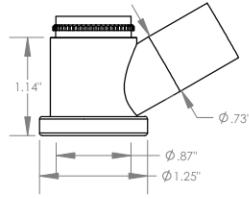
Information in this drawing is provided for reference only

Image 3

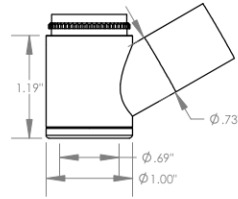
### Skirt Option



**VS**  
Vacuum Straight  
Cutter  $\phi 3/4"$  ( $\phi 19\text{mm}$ )



**VE**  
Vacuum External Thread\*  
Cutter  $\phi 3/4"$  ( $\phi 19\text{mm}$ )



**VI**  
Vacuum Internal Thread\*  
Cutter  $\phi 5/8"$  ( $\phi 15\text{mm}$ )



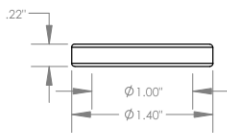
Part Number	Material
59631-N	Nylon
59631-S	Steel
59631-P	Phenolic

**Foot Style For External Thread**



Part Number	Material
59620-N	Nylon
59620-S	Steel
59620-P	Phenolic

**Foot Style For Internal Thread**



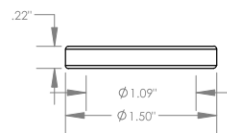
Part Number	Material
59641-N	Nylon
59641-S	Steel
59641-P	Phenolic

**Foot Style For Bell External Thread**



Part Number	Material
59640-N	Nylon
59640-S	Steel
59640-P	Phenolic

**Foot Style For Bell Internal Thread**



Part Number	Material
59651-N	Nylon
59651-S	Steel
59651-P	Phenolic

**Foot Style For Bell Wide External Thread**

\*Select foot style from table

Revision 07

Do not modify, copy, distribute, or reproduce this drawing without prior written authorization.

All dimensions are in inches



© 2025 Wescon Industries Inc.  
601 Century Plaza Dr. Houston, TX 77073, US  
www.wesconusa.com

Part Number

**WES597**

Wescon 597 Microstop

Information in this drawing is provided for reference only

Image 4