

DATASHEET

PART NUMBER

WES597-SEP-TSL

**Wescon 597 Stainless Steel Microstop - 1/4-28
- 3/4" Cutter Capacity - Slotted External Thread
Skirt - Phenolic Foot**

HIGH SPEED HEAVY DUTY STAINLESS STEEL

WEBSITE

<https://www.wesconusa.com/products/WES597-SEP-TSL>



* The image represents the general look of the series. Actual product may vary based on options selected.

SPECIFICATIONS

| | |
|---------------------------|------------------------------------|
| Measurement Type | Imperial |
| Bearing Rating | 10,000 rpm |
| Bearing Type | Dual Ball Bearings |
| Heavy Duty Thrust Bearing | Yes |
| Incremental Adjustment | 0.0005 in |
| Shaft Travel | 0.300 in |
| Dust Seal | Integrated Dust Seal |
| Cutter Thread | 1/4-28 |
| Shaft | Threaded Shank Long (1/4-28) |
| Shaft Diameter | 1/4 in |
| Cutter Capacity | 3/4 in |
| Skirt | Slotted External Thread |
| Skirt Description | 1-1/4 in OD 3/4 in Cutter Capacity |
| Foot | Phenolic |
| Solid Stop | Yes |
| Material | Stainless Steel |
| Country of Origin | USA |

ADDITIONAL IMAGES AND DRAWINGS



Image 0

WES597 Series Microstop



Part Number
WES597-X-XX-XX

- └─ Shaft Option
- └─ Foot Style
- └─ Skirt Option*
- └─ Cutter Thread

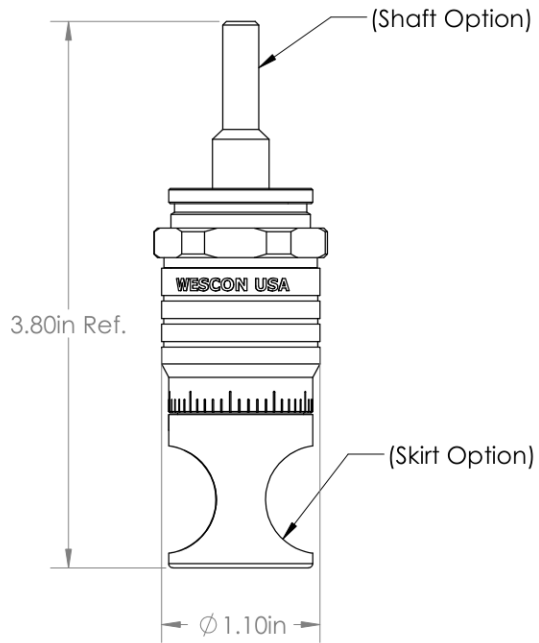
| Code | Cutter Thread |
|---------|---------------|
| (Blank) | 1/4-28 |
| 6 | M6x1 |
| 8 | M8x1 |

| Code | Foot Style |
|------|------------|
| N | Nylon |
| S | Steel |
| P | Phenolic |

| Code | Shaft Option |
|---------|------------------------------|
| (Blank) | 1/4in Standard Round |
| QC | Quick Change |
| TF | Tri Flat |
| TSL | 1/4-28in Threaded Shank Long |

Incremental Adjustment: 0.0005 in
Shaft Travel: 0.300 in
Material: Stainless Steel

Bearing Rating: 10,000 rpm
Bearing Type: Dual Ball-Bearings
Dust Seal: Integrated Dust Seal
Heavy Duty Thrust Bearing: Yes
Solid Stop: Yes



*For Skirt options see next page and website.



Part Number

WES597

Do not modify, copy, distribute, or reproduce this drawing without prior written authorization.

© 2025 Wescon Industries Inc.
601 Century Plaza Dr. Houston, TX 77073, US
www.wesconusa.com

Wescon 597 Microstop

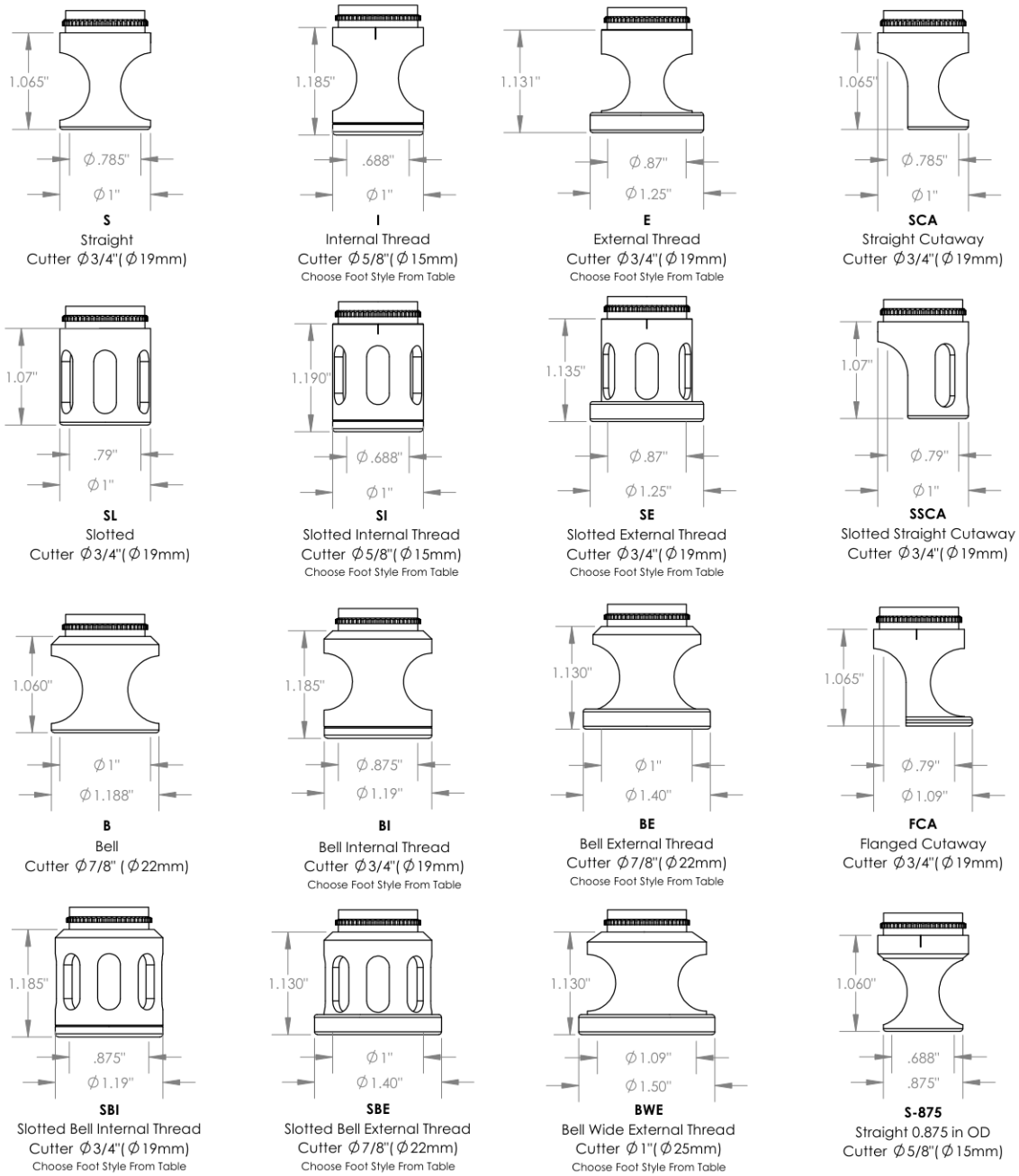
Revision 05

All dimensions are in Inches

Information in this drawing is provided for reference only

Image 1

Skirt Option



Continued In Next Page.

Revision 05

Do not modify, copy, distribute, or reproduce this drawing without prior written authorization.

© 2025 Wescon Industries Inc.
601 Century Plaza Dr. Houston, TX 77073, US
www.wesconusa.com

Information in this drawing is provided for reference only



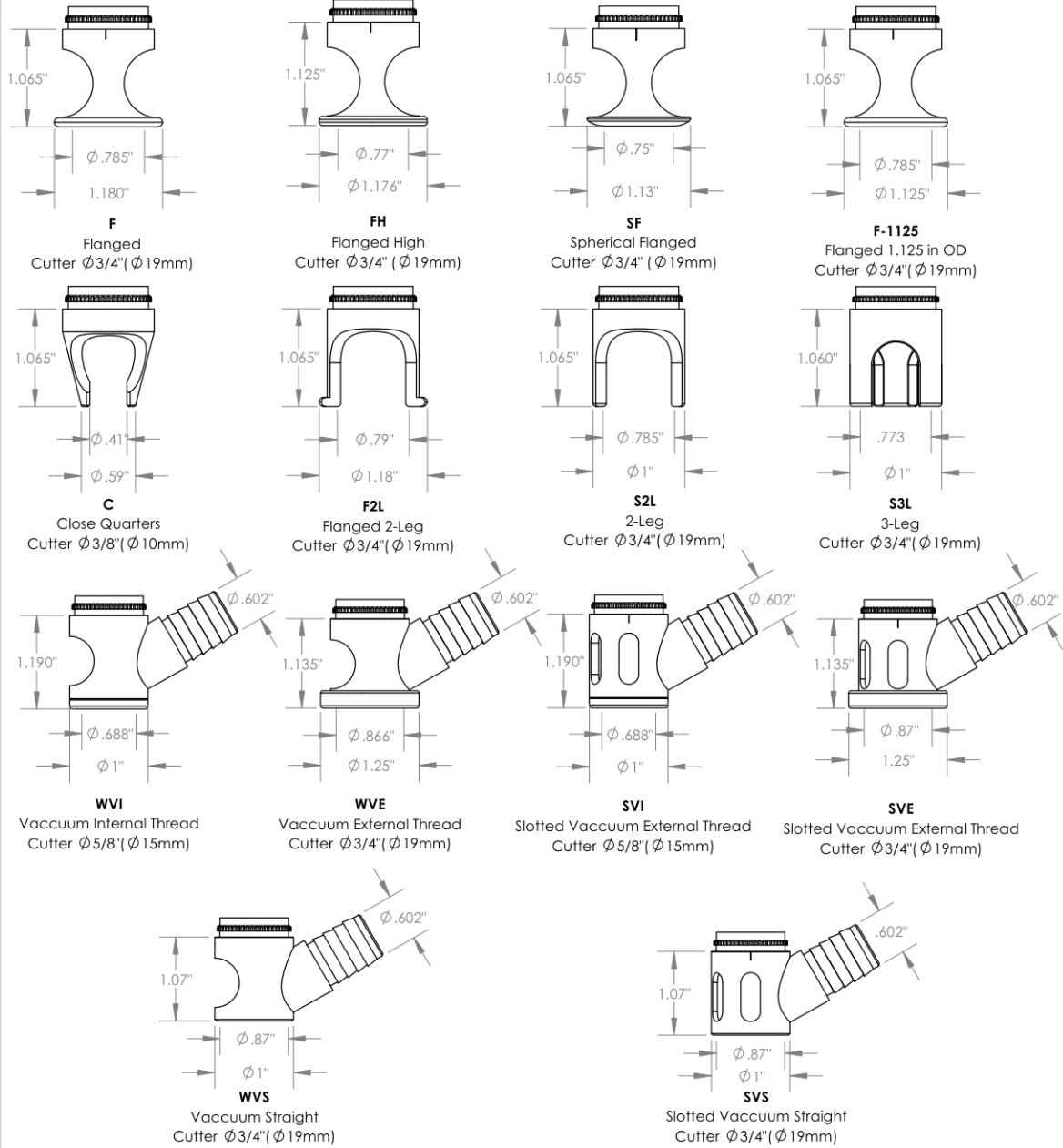
Part Number

WES597

Wescon 597 Microstop

Image 2

Skirt Option (Continuation)



Part Number

WES597

Do not modify, copy, distribute, or reproduce this drawing without prior written authorization.

© 2025 Wescon Industries Inc.
601 Century Plaza Dr. Houston, TX 77073, US
www.wesconusa.com

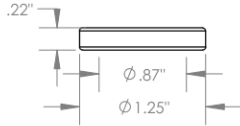
Wescon 597 Microstop

Revision 05

All dimensions are in inches. Information in this drawing is provided for reference only.

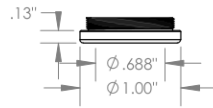
Image 3

**Foot Style
For External Thread**



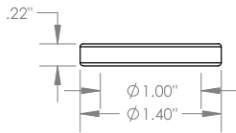
| Part Number | Material |
|-------------|----------|
| 59631-N | Nylon |
| 59631-S | Steel |
| 59631-P | Phenolic |

**Foot Style
For Internal Thread**



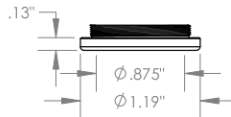
| Part Number | Material |
|-------------|----------|
| 59620-N | Nylon |
| 59620-S | Steel |
| 59620-P | Phenolic |

**Foot Style
For Bell External Thread**



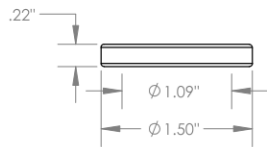
| Part Number | Material |
|-------------|----------|
| 59641-N | Nylon |
| 59641-S | Steel |
| 59641-P | Phenolic |

**Foot Style
For Bell Internal Thread**



| Part Number | Material |
|-------------|----------|
| 59640-N | Nylon |
| 59640-S | Steel |
| 59640-P | Phenolic |

**Foot Style
For Bell Wide External Thread**



| Part Number | Material |
|-------------|----------|
| 59651-N | Nylon |
| 59651-S | Steel |
| 59651-P | Phenolic |

| | | | |
|---|------------------------------|--|---------------|
|  | | Part Number | WES597 |
| Do not modify, copy, distribute, or reproduce this drawing without prior written authorization. | | Wescon 597 Microstop | |
| Revision 05 | All dimensions are in Inches | Information in this drawing is provided for reference only | |
| © 2025 Wescon Industries Inc. 601 Century Plaza Dr. Houston, TX 77073, US www.wesconusa.com | | | |

Image 4