

## DATASHEET

PART NUMBER

### WES597-VIP-QC

**Wescon 597 Stainless Steel Microstop - 1/4-28  
- 5/8" Cutter Capacity - Vacuum Internal  
Thread Skirt - Phenolic Foot**

HIGH SPEED HEAVY DUTY STAINLESS STEEL

WEBSITE

<https://www.wesconusa.com/products/WES597-VIP-QC>



\* The image represents the general look of the series. Actual product may vary based on options selected.

## SPECIFICATIONS

|                           |                                |
|---------------------------|--------------------------------|
| Measurement Type          | Imperial                       |
| Bearing Rating            | 10,000 rpm                     |
| Bearing Type              | Dual Ball Bearings             |
| Heavy Duty Thrust Bearing | Yes                            |
| Incremental Adjustment    | 0.0005 in                      |
| Shaft Travel              | 0.300 in                       |
| Dust Seal                 | Integrated Dust Seal           |
| Cutter Thread             | 1/4-28                         |
| Shaft                     | Quick Change                   |
| Shaft Diameter            | 1/4 in                         |
| Cutter Capacity           | 5/8 in                         |
| Skirt                     | Vacuum Internal Thread         |
| Skirt Description         | 1 in OD 5/8 in Cutter Capacity |
| Foot                      | Phenolic                       |
| Solid Stop                | Yes                            |
| Material                  | Stainless Steel                |
| Vacuum Adapter            | Yes                            |

Country of Origin

USA

**ADDITIONAL IMAGES AND DRAWINGS**



Image 0

**WES597 Series Microstop**



**Part Number**  
WES597-X-XX-XX

- └─ Shaft Option
- └─ Foot Style
- └─ Skirt Option\*
- └─ Cutter Thread

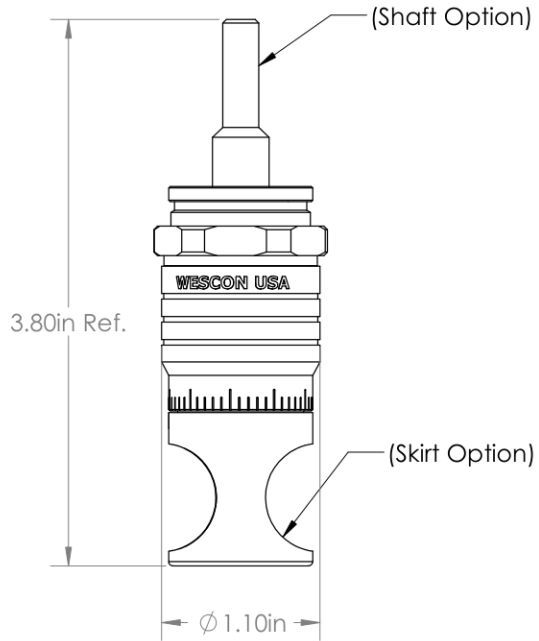
| Code    | Cutter Thread |
|---------|---------------|
| (Blank) | 1/4-28        |
| 6       | M6x1          |
| 8       | M8x1          |

| Code | Foot Style |
|------|------------|
| N    | Nylon      |
| S    | Steel      |
| P    | Phenolic   |

| Code    | Shaft Option                 |
|---------|------------------------------|
| (Blank) | 1/4in Standard Round         |
| QC      | Quick Change                 |
| TF      | Tri Flat                     |
| TSL     | 1/4-28in Threaded Shank Long |

Incremental Adjustment: 0.0005 in  
Shaft Travel: 0.300 in  
Material: Stainless Steel

Bearing Rating: 10,000 rpm  
Bearing Type: Dual Ball-Bearings  
Dust Seal: Integrated Dust Seal  
Heavy Duty Thrust Bearing: Yes  
Solid Stop: Yes



\*For Skirt options see next page and website.



Part Number **WES597**

Do not modify, copy, distribute, or reproduce this drawing without prior written authorization.

© 2025 Wescon Industries Inc.  
601 Century Plaza Dr. Houston, TX 77073, US  
www.wesconusa.com

Wescon 597 Microstop

Revision 05 All dimensions are in Inches Information in this drawing is provided for reference only

Image 1

### Skirt Option



Continued In Next Page.

Revision 05

Do not modify, copy, distribute, or reproduce this drawing without prior written authorization.

© 2025 Wescon Industries Inc.  
601 Century Plaza Dr. Houston, TX 77073, US  
www.wesconusa.com

Information in this drawing is provided for reference only



Part Number

**WES597**

Wescon 597 Microstop

Image 2

**Skirt Option (Continuation)**



|   |                              |   |               |
|---|------------------------------|---|---------------|
|  |                              | Part Number   | <b>WES597</b> |
|   |                              | © 2025 Wescon Industries Inc.<br>601 Century Plaza Dr. Houston, TX 77073, US<br>www.wesconusa.com |               |
| Revision 05   | All dimensions are in inches | Information in this drawing is provided for reference only  |               |
|   |                              | Wescon 597 Microstop  |               |

Image 3

**Foot Style  
For External Thread**



| Part Number | Material |
|-------------|----------|
| 59631-N     | Nylon    |
| 59631-S     | Steel    |
| 59631-P     | Phenolic |

**Foot Style  
For Internal Thread**



| Part Number | Material |
|-------------|----------|
| 59620-N     | Nylon    |
| 59620-S     | Steel    |
| 59620-P     | Phenolic |

**Foot Style  
For Bell External Thread**



| Part Number | Material |
|-------------|----------|
| 59641-N     | Nylon    |
| 59641-S     | Steel    |
| 59641-P     | Phenolic |

**Foot Style  
For Bell Internal Thread**



| Part Number | Material |
|-------------|----------|
| 59640-N     | Nylon    |
| 59640-S     | Steel    |
| 59640-P     | Phenolic |

**Foot Style  
For Bell Wide External Thread**



| Part Number | Material |
|-------------|----------|
| 59651-N     | Nylon    |
| 59651-S     | Steel    |
| 59651-P     | Phenolic |



Part Number

**WES597**

Do not modify, copy, distribute, or reproduce this drawing without prior written authorization.

© 2025 Wescon Industries Inc.  
601 Century Plaza Dr. Houston, TX 77073, US  
www.wesconusa.com

Wescon 597 Microstop

Revision 05

All dimensions are in Inches

Information in this drawing is provided for reference only

Image 4