

## DATASHEET

PART NUMBER

### WES598-6-S-TF

**Wescon 598 Microstop - M6x1 - 19 mm Cutter  
Capacity - Straight**

10 DEGREE PIVOTING SHAFT (SWIVEL SHAFT) / HIGH  
SPEED HEAVY DUTY

WEBSITE

<https://www.wesconusa.com/products/WES598-6-S-TF>



\* The image represents the general look of the series. Actual product may vary based on options selected.

## SPECIFICATIONS

<b>Measurement Type</b>	Metric
<b>Bearing Rating</b>	10,000 rpm
<b>Bearing Type</b>	Dual Ball Bearings
<b>Heavy Duty Thrust Bearing</b>	Yes
<b>Incremental Adjustment</b>	0.013 mm
<b>Shaft Travel</b>	7.60 mm
<b>Dust Seal</b>	Integrated Dust Seal
<b>Cutter Thread</b>	M6x1
<b>Shaft</b>	Tri-Flat - Pivoting / Swivel Shaft
<b>Shaft Diameter</b>	6.35 mm
<b>Cutter Capacity</b>	19 mm
<b>Skirt</b>	Straight
<b>Skirt Description</b>	25.4 mm OD 19 mm Cutter Capacity
<b>Solid Stop</b>	Yes
<b>Material</b>	Steel
<b>Country of Origin</b>	USA

## ADDITIONAL IMAGES AND DRAWINGS

### WES598 Series Microstop



**Part Number**  
WES598-X-XX-XX

- Shaft Option
- Foot Style
- Skirt Option\*
- Cutter Thread

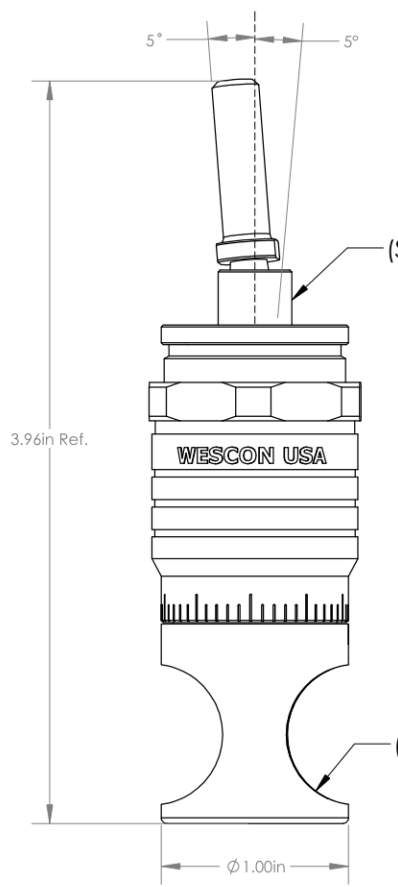
Code	Cutter Thread
(Blank)	1/4-28
6	M6x1
8	M8x1

Code	Foot Style
N	Nylon
S	Steel
P	Phenolic

Code	Shaft Option
(Blank)	Round Swivel Shaft
QC	Quick Change Swivel Shaft
TF	Tri Flat Swivel Shaft



5°      5°

3.96in Ref.

(Shaft Option)

WESCON USA


(Skirt Option)

Ø 1.00in

Incremental Adjustment: 0.0005 in  
 Shaft Travel: 0.300 in  
 Material: Carbon Steel Body with Hardened Tool Steel Shaft

Bearing Rating: 10,000 rpm  
 Bearing Type: Dual Ball-Bearings  
 Dust Seal: Integrated Dust Seal  
 Heavy Duty Thrust Bearing: Yes  
 Solid Stop: Yes

\*For Skirt options see next page and website.



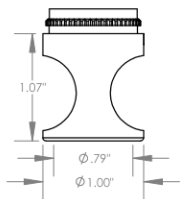
Part Number **WES598**

**Wescon 598 Microstop**

Revision 09	Do not modify, copy, distribute, or reproduce this drawing without prior written authorization.	© 2025 Wescon Industries Inc. 601 Century Plaza Dr. Houston, TX 77073. US www.wesconusa.com	Information in this drawing is provided for reference only
-------------	-------------------------------------------------------------------------------------------------	---------------------------------------------------------------------------------------------	------------------------------------------------------------

Image 1

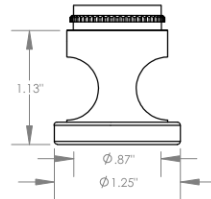
### Skirt Option



**S**  
Straight  
Cutter  $\phi 3/4\text{\"} (\phi 19\text{mm})$



**I**  
Internal Thread\*  
Cutter  $\phi 5/8\text{\"} (\phi 15\text{mm})$



**E**  
External Thread\*  
Cutter  $\phi 3/4\text{\"} (\phi 19\text{mm})$



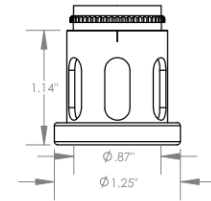
**SCA**  
Straight Cutaway  
Cutter  $\phi 3/4\text{\"} (\phi 19\text{mm})$



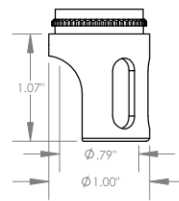
**SL**  
Slotted  
Cutter  $\phi 3/4\text{\"} (\phi 19\text{mm})$



**SI**  
Slotted Internal Thread\*  
Cutter  $\phi 5/8\text{\"} (\phi 15\text{mm})$



**SE**  
Slotted External Thread\*  
Cutter  $\phi 3/4\text{\"} (\phi 19\text{mm})$



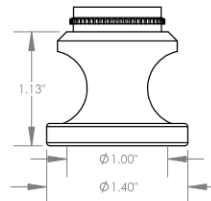
**SSCA**  
Slotted Straight Cutaway  
Cutter  $\phi 3/4\text{\"} (\phi 19\text{mm})$



**B**  
Bell  
Cutter  $\phi 7/8\text{\"} (\phi 22\text{mm})$



**BI**  
Bell Internal Thread\*  
Cutter  $\phi 3/4\text{\"} (\phi 19\text{mm})$



**BE**  
Bell External Thread\*  
Cutter  $\phi 7/8\text{\"} (\phi 22\text{mm})$



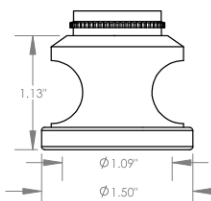
**FCA**  
Flanged Cutaway  
Cutter  $\phi 3/4\text{\"} (\phi 19\text{mm})$



**SBI**  
Slotted Bell Internal Thread\*  
Cutter  $\phi 3/4\text{\"} (\phi 19\text{mm})$



**SBE**  
Slotted Bell External Thread\*  
Cutter  $\phi 7/8\text{\"} (\phi 22\text{mm})$



**BWE**  
Bell Wide External Thread\*  
Cutter  $\phi 1\text{\"} (\phi 25\text{mm})$



**S-875**  
Straight 0.875 in OD  
Cutter  $\phi 5/8\text{\"} (\phi 15\text{mm})$

\*Select foot style from table  
Continued In Next Page.

Revision 09

Do not modify, copy, distribute, or reproduce this drawing without prior written authorization.

© 2025 Wescon Industries Inc.  
601 Century Plaza Dr. Houston, TX 77073, US  
www.wesconusa.com

Information in this drawing is provided for reference only



Part Number

**WES598**

Wescon 598 Microstop

Image 2

**Skirt Option (Continuation)**



**F**  
Flanged  
Cutter  $\phi 3/4''$  ( $\phi 19\text{mm}$ )



**FH**  
Flanged High  
Cutter  $\phi 3/4''$  ( $\phi 19\text{mm}$ )



**SF**  
Spherical Flanged  
Cutter  $\phi 3/4''$  ( $\phi 19\text{mm}$ )



**F-1125**  
Flanged 1.125 in OD  
Cutter  $\phi 3/4''$  ( $\phi 19\text{mm}$ )



**C**  
Close Quarters  
Cutter  $\phi 3/8''$  ( $\phi 10\text{mm}$ )



**F2L**  
Flanged 2-Leg  
Cutter  $\phi 3/4''$  ( $\phi 19\text{mm}$ )



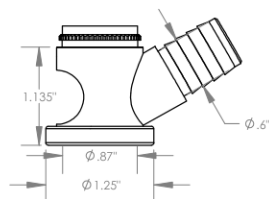
**S2L**  
2-Leg  
Cutter  $\phi 3/4''$  ( $\phi 19\text{mm}$ )



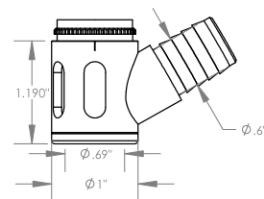
**S3L**  
3-Leg  
Cutter  $\phi 3/4''$  ( $\phi 19\text{mm}$ )



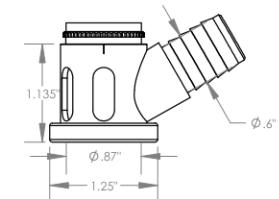
**WVI**  
Vacuum Internal Thread\*  
Cutter  $\phi 5/8''$  ( $\phi 15\text{mm}$ )



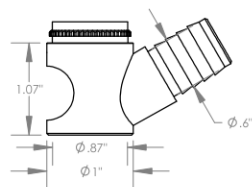
**WVE**  
Vacuum External Thread\*  
Cutter  $\phi 3/4''$  ( $\phi 19\text{mm}$ )



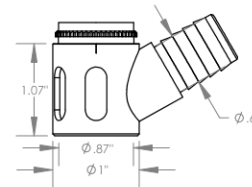
**SVI**  
Slotted Vacuum Internal Thread\*  
Cutter  $\phi 5/8''$  ( $\phi 15\text{mm}$ )



**SVE**  
Slotted Vacuum External Thread\*  
Cutter  $\phi 3/4''$  ( $\phi 19\text{mm}$ )



**WVS**  
Vacuum Straight  
Cutter  $\phi 3/4''$  ( $\phi 19\text{mm}$ )



**SVS**  
Slotted Vacuum Straight  
Cutter  $\phi 3/4''$  ( $\phi 19\text{mm}$ )



Part Number

**WES598**

\*Select foot style from table

Do not modify, copy, distribute, or reproduce this drawing without prior written authorization.

© 2025 Wescon Industries Inc.  
601 Century Plaza Dr. Houston, TX 77073, US  
www.wesconusa.com

Wescon 598 Microstop

Revision 09

All dimensions are in inches

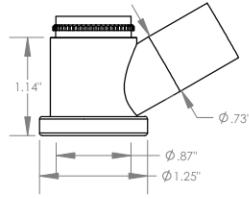
Information in this drawing is provided for reference only

Image 3

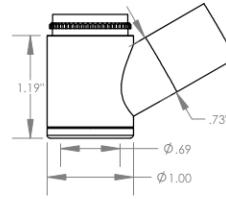
### Skirt Option



**VS**  
Vacuum Straight  
Cutter  $\phi 3/4"$  ( $\phi 19\text{mm}$ )



**VE**  
Vacuum External Thread\*  
Cutter  $\phi 3/4"$  ( $\phi 19\text{mm}$ )



**VI**  
Vacuum Internal Thread\*  
Cutter  $\phi 5/8"$  ( $\phi 15\text{mm}$ )



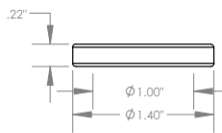
**Foot Style For External Thread**

Part Number	Material
59631-N	Nylon
59631-S	Steel
59631-P	Phenolic



**Foot Style For Internal Thread**

Part Number	Material
59620-N	Nylon
59620-S	Steel
59620-P	Phenolic



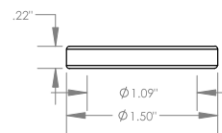
**Foot Style For Bell External Thread**

Part Number	Material
59641-N	Nylon
59641-S	Steel
59641-P	Phenolic



**Foot Style For Bell Internal Thread**

Part Number	Material
59640-N	Nylon
59640-S	Steel
59640-P	Phenolic



**Foot Style For Bell Wide External Thread**

Part Number	Material
59651-N	Nylon
59651-S	Steel
59651-P	Phenolic

\*Select foot style from table

Revision 09

Do not modify, copy, distribute, or reproduce this drawing without prior written authorization.

All dimensions are in inches



© 2025 Wescon Industries Inc.  
601 Century Plaza Dr. Houston, TX 77073, US  
www.wesconusa.com

Part Number

**WES598**

Wescon 598 Microstop

Image 4