

## DATASHEET

PART NUMBER

### WES598-8-VIS

**Wescon 598 Microstop - M8x1 - 15 mm Cutter  
Capacity - Vacuum Internal Thread Skirt - Steel  
Foot**

10 DEGREE PIVOTING SHAFT (SWIVEL SHAFT) / HIGH  
SPEED HEAVY DUTY

WEBSITE

<https://www.wesconusa.com/products/WES598-8-VIS>




\* The image represents the general look of the series. Actual product may vary based on options selected.

## SPECIFICATIONS

Measurement Type	Metric
Bearing Rating	10,000 rpm
Bearing Type	Dual Ball Bearings
Heavy Duty Thrust Bearing	Yes
Incremental Adjustment	0.013 mm
Shaft Travel	7.60 mm
Dust Seal	Integrated Dust Seal
Cutter Thread	M8x1
Shaft	Round - Pivoting / Swivel Shaft
Shaft Diameter	6.35 mm
Cutter Capacity	15 mm
Skirt	Vacuum Internal Thread
Skirt Description	25.4 mm OD 15 mm Cutter Capacity
Foot	Steel
Solid Stop	Yes
Material	Steel
Vacuum Adapter	Yes

**ADDITIONAL IMAGES AND DRAWINGS**

**WES598 Series Microstop**



**Part Number**  
WES 598-X-XX-XX

- Shaft Option
- Foot Style
- Skirt Option\*
- Cutter Thread

Incremental Adjustment: 0.0005 in  
 Shaft Travel: 0.300 in  
 Material: Carbon Steel Body with Hardened Tool Steel Shaft

Bearing Rating: 10,000 rpm  
 Bearing Type: Dual Ball-Bearings  
 Dust Seal: Integrated Dust Seal  
 Heavy Duty Thrust Bearing: Yes  
 Solid Stop: Yes

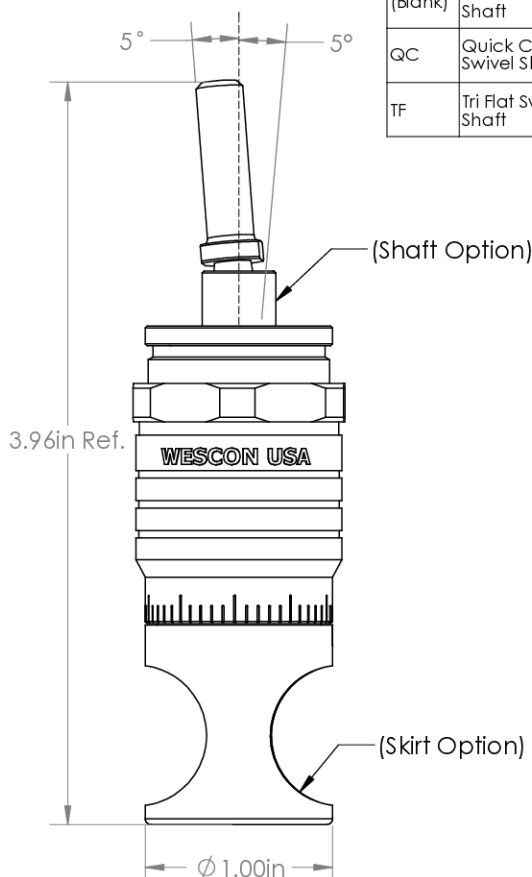
Code	Cutter Thread
(Blank)	1/4-28
6	M6x1
8	M8x1

Code	Foot Style
N	Nylon
S	Steel
P	Phenolic

Code	Shaft Option
(Blank)	Round Swivel Shaft
QC	Quick Change Swivel Shaft
TF	Tri Flat Swivel Shaft



5° 5°


3.96in Ref.

(Shaft Option)

(Skirt Option)

Ø 1.00in

\*For Skirt options see next page and website.



**WESCON**

© 2025 Wescon Industries Inc.  
 601 Century Plaza Dr. Houston, TX 77073, US  
 www.wesconusa.com

Part Number **WES598**

**Wescon 598 Microstop**

Revision 05

All dimensions are in inches

Information in this drawing is provided for reference only

Image 1

### Skirt Option (Continuation)



**F**  
Flanged  
Cutter  $\phi 3/4"$  ( $\phi 19$ mm)



**FH**  
Flanged High  
Cutter  $\phi 3/4"$  ( $\phi 19$ mm)



**SF**  
Spherical Flanged  
Cutter  $\phi 3/4"$  ( $\phi 19$ mm)



**F-1125**  
Flanged 1.125 in OD  
Cutter  $\phi 3/4"$  ( $\phi 19$ mm)



**C**  
Close Quarters  
Cutter  $\phi 3/8"$  ( $\phi 10$ mm)



**F2L**  
Flanged 2-Leg  
Cutter  $\phi 3/4"$  ( $\phi 19$ mm)



**S2L**  
2-Leg  
Cutter  $\phi 3/4"$  ( $\phi 19$ mm)



**S3L**  
3-Leg  
Cutter  $\phi 3/4"$  ( $\phi 19$ mm)



**WVI**  
Vacuum Internal Thread  
Cutter  $\phi 5/8"$  ( $\phi 15$ mm)



**WVE**  
Vacuum External Thread  
Cutter  $\phi 3/4"$  ( $\phi 19$ mm)



**SVI**  
Slotted Vacuum External Thread  
Cutter  $\phi 5/8"$  ( $\phi 15$ mm)



**SVE**  
Slotted Vacuum External Thread  
Cutter  $\phi 3/4"$  ( $\phi 19$ mm)



Part Number

**WES598**

Do not modify, copy, distribute, or reproduce this drawing without prior written authorization.

© 2025 Wescon Industries Inc.  
601 Century Plaza Dr. Houston, TX 77073, US  
www.wesconusa.com

Wescon 598 Microstop

Revision 05

All dimensions are in inches

Information in this drawing is provided for reference only

Image 2

### Skirt Option



Continued In Next Page.

Revision 05

Do not modify, copy, distribute, or reproduce this drawing without prior written authorization.

© 2025 Wescon Industries Inc.  
601 Century Plaza Dr. Houston, TX 77073, US  
www.wesconusa.com

Information in this drawing is provided for reference only



Part Number

**WES598**

Wescon 598 Microstop

Image 3

**Foot Style  
For External Thread**



Part Number	Material
59631-N	Nylon
59631-S	Steel
59631-P	Phenolic

**Foot Style  
For Internal Thread**



Part Number	Material
59620-N	Nylon
59620-S	Steel
59620-P	Phenolic

**Foot Style  
For Bell External Thread**



Part Number	Material
59641-N	Nylon
59641-S	Steel
59641-P	Phenolic

**Foot Style  
For Bell Internal Thread**



Part Number	Material
59640-N	Nylon
59640-S	Steel
59640-P	Phenolic

**Foot Style  
For Bell Wide External Thread**



Part Number	Material
59651-N	Nylon
59651-S	Steel
59651-P	Phenolic



Part Number **WES598**

Do not modify, copy, distribute, or reproduce this drawing without prior written authorization.

© 2025 Wescon Industries Inc.  
601 Century Plaza Dr. Houston, TX 77073, US  
www.wesconusa.com

Wescon 598 Microstop

Revision 04 All dimensions are in inches Information in this drawing is provided for reference only

Image 4