

## DATASHEET

PART NUMBER

### WES599-8-SVES-TF

**Wescon 599 Stainless Steel Microstop - M8x1 -  
19.05 mm Cutter Capacity - Slotted Vacuum  
External Thread Skirt - Steel Foot**

10 DEGREE PIVOTING SHAFT (SWIVEL SHAFT) / HIGH  
SPEED HEAVY DUTY STAINLESS STEEL

WEBSITE

<https://www.wesconusa.com/products/WES599-8-SVES-TF>



\* The image represents the general look of the series. Actual product may vary based on options selected.

## SPECIFICATIONS


Measurement Type	Metric
Bearing Rating	10,000 rpm
Bearing Type	Dual Ball Bearings
Heavy Duty Thrust Bearing	Yes
Incremental Adjustment	0.013 mm
Shaft Travel	7.60 mm
Dust Seal	Integrated Dust Seal
Cutter Thread	M8x1
Shaft	Tri-Flat - Pivoting / Swivel Shaft
Shaft Diameter	6.35 mm
Cutter Capacity	19.05 mm
Skirt	Slotted Vacuum External Thread
Skirt Description	31.75 mm OD 22.01 mm ID 19.05 mm Cutter Capacity
Foot	Steel
Solid Stop	Yes
Material	Stainless Steel
Vacuum Adapter	Yes

Country of Origin

USA

### ADDITIONAL IMAGES AND DRAWINGS

**WES599 Series Microstop**



Incremental Adjustment: 0.0005 in  
 Shaft Travel: 0.300 in  
 Material: Stainless Steel

Bearing Rating: 10,000 rpm  
 Bearing Type: Dual Ball-Bearings  
 Dust Seal: Integrated Dust Seal  
 Heavy Duty Thrust Bearing: Yes  
 Solid Stop: Yes

**Part Number**  
WES599-X-XX-XX

- Shaft Option
- Foot Style
- Skirt Option\*
- Cutter Thread

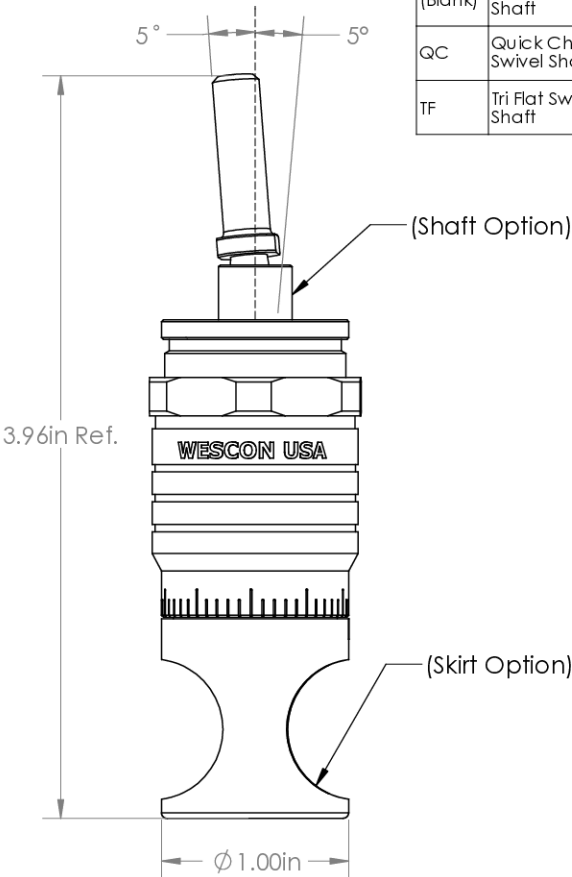
Code	Cutter Thread
(Blank)	1/4-28
6	M6x1
8	M8x1

Code	Foot Style
N	Nylon
S	Steel
P	Phenolic

Code	Shaft Option
(Blank)	Round Swivel Shaft
QC	Quick Change Swivel Shaft
TF	Tri Flat Swivel Shaft



5°      5°

3.96in Ref.

(Shaft Option)

(Skirt Option)

∅ 1.00in


<p>*For Skirt options see next page and website.</p> <p>Revision 04    All dimensions are in inches</p>	 <p>© 2025 Wescon Industries Inc.          601 Century Plaza Dr. Houston, TX 77073, US  <a href="http://www.wesconusa.com">www.wesconusa.com</a></p>	<p>Part Number    <b>WES599</b></p> <p style="text-align: center; font-size: 1.2em;">Wescon 599 Microstop</p>
<p>Information in this drawing is provided for reference only</p>		

Image 1

### Skirt Option



Continued In Next Page.

Revision 04

Do not modify, copy, distribute, or reproduce this drawing without prior written authorization.

© 2025 Wescon Industries Inc.  
601 Century Plaza Dr. Houston, TX 77073, US  
www.wesconusa.com

Information in this drawing is provided for reference only



Part Number

**WES599**

Wescon 599 Microstop

Image 2

### Skirt Option (Continuation)



Part Number

**WES599**

Do not modify, copy, distribute, or reproduce this drawing without prior written authorization.

© 2025 Wescon Industries Inc.  
601 Century Plaza Dr. Houston, TX 77073, US  
www.wesconusa.com

Wescon 599 Microstop

Revision 04

All dimensions are in inches

Information in this drawing is provided for reference only

Image 3

**Foot Style  
For External Thread**



Part Number	Material
59631-N	Nylon
59631-S	Steel
59631-P	Phenolic

**Foot Style  
For Internal Thread**



Part Number	Material
59620-N	Nylon
59620-S	Steel
59620-P	Phenolic

**Foot Style  
For Bell External Thread**



Part Number	Material
59641-N	Nylon
59641-S	Steel
59641-P	Phenolic

**Foot Style  
For Bell Internal Thread**



Part Number	Material
59640-N	Nylon
59640-S	Steel
59640-P	Phenolic

**Foot Style  
For Bell Wide External Thread**



Part Number	Material
59651-N	Nylon
59651-S	Steel
59651-P	Phenolic



Part Number **WES599**

Do not modify, copy, distribute, or reproduce this drawing without prior written authorization.

© 2025 Wescon Industries Inc.  
601 Century Plaza Dr. Houston, TX 77073, US  
www.wesconusa.com

Wescon 599 Microstop

Revision 04 All dimensions are in inches Information in this drawing is provided for reference only

Image 4