

## DATASHEET

PART NUMBER

### WES690-8-2000-S2L-TF

**Wescon 690 Microstop - M8x1 - 50.8 mm Cutter  
Capacity - 2-Leg Skirt**

LARGE CAPACITY UNITS

WEBSITE

<https://www.wesconusa.com/products/WES690-8-2000-S2L-TF>



\* The image represents the general look of the series. Actual product may vary based on options selected.

## SPECIFICATIONS

<b>Measurement Type</b>	Metric
<b>Bearing Rating</b>	3,000 rpm
<b>Bearing Type</b>	Bronze Bearing
<b>Heavy Duty Thrust Bearing</b>	Yes
<b>Incremental Adjustment</b>	0.013 mm
<b>Shaft Travel</b>	12.70 mm
<b>Dust Seal</b>	No
<b>Cutter Thread</b>	M8x1
<b>Shaft</b>	Tri-Flat
<b>Shaft Diameter</b>	9.525 mm
<b>Cutter Capacity</b>	50.8 mm
<b>Skirt</b>	2-Leg
<b>Solid Stop</b>	No
<b>Material</b>	Steel
<b>Country of Origin</b>	USA

**ADDITIONAL IMAGES AND DRAWINGS**

**WES690 Series Microstop**



**Part Number**

WES 690-XX-XX-XX-XX

- Shaft Option
- Foot Style
- Skirt Option\*
- Cutter Capacity
- Shaft Thread

Code	Shaft Thread
(Blank)	3/8-24
4320	7/16-20
8	M8x1
10	M10x1

Code	Cutter Capacity
875	7/8"(22mm)
1000	1"(25mm)
1250	1-1/4"(32mm)
1375	1-3/8"(35mm)
1500	1-1/2"(38mm)
2000	2"(50.8mm)

Code	Foot Style
N	Nylon
S	Steel

Code	Shaft Option
TF	Tri Flat



Incremental Adjustment: 0.0005 in  
 Shaft Travel: 0.500 in  
 Material: Carbon Steel Body with  
 Hardened Tool Steel Shaft

Bearing Rating: 3,000 rpm  
 Bearing Type: Bronze Bearing  
 Heavy Duty Thrust Bearing: Yes  
 Solid Stop: Yes

\*For skirt options see next page and website.



Part Number

**WES690**

Do not modify, copy, distribute, or reproduce this drawing without prior written authorization.

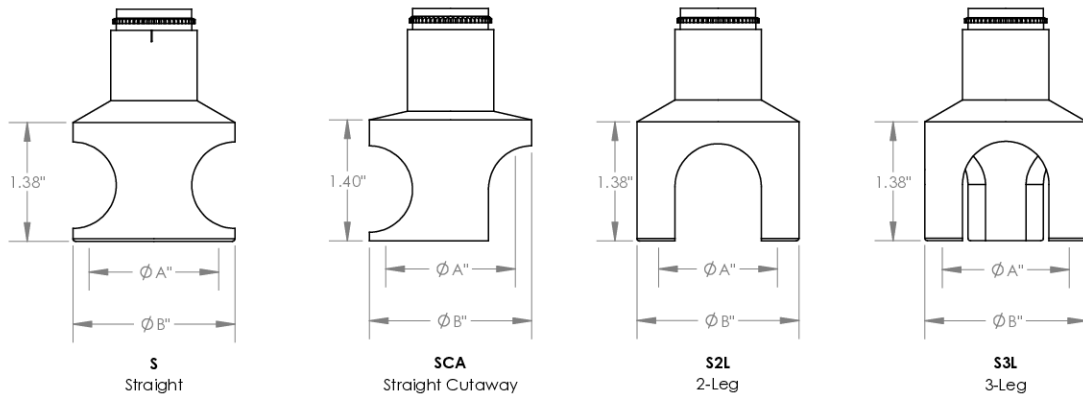
© 2025 Wescon Industries Inc.  
 601 Century Plaza Dr. Houston, TX 77073, US  
 www.wesconusa.com

Wescon 690 Microstop

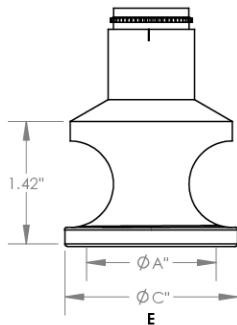
Revision 03 All dimensions are in inches Information in this drawing is provided for reference only

Image 1

### Skirt Option



### Foot Style For External Thread



**E**  
External Thread  
Choose Foot Style From Table



Part Number	Material
59631-N	Nylon
59631-S	Steel
59631-P	Phenolic

Code	Cutter Capacity	Ø A	OD for S, SCA, S2L & S3L		OD for E & SE
			Ø B	Ø C	Ø c
875	7/8" (22 mm)	7/8" (22 mm)	1-3/16" (30 mm)		1.317 (33 mm)
1000	1" (25 mm)	1-5/8" (42 mm)	1-7/8" (48 mm)		1.945 (49 mm)
1250	1-1/4" (32 mm)	1-1/2" (38 mm)	1-5/8" (42 mm)		1.755 (45 mm)
1375	1-3/8" (35 mm)	1-5/8" (42 mm)	1-7/8" (48 mm)		2.005 (50.8 mm)
1500	1-1/2" (38 mm)	1-1/2" (38 mm)	2" (50.8 mm)		2.130 (54 mm)
2000	2" (50.8 mm)	2-1/4" (58 mm)	2-1/2" (64 mm)		2.630 (67 mm)



Part Number

**WES690**

Do not modify, copy, distribute, or reproduce this drawing without prior written authorization.

© 2025 Wescon Industries Inc.  
601 Century Plaza Dr. Houston, TX 77073, US  
www.wesconusa.com

Wescon 690 Microstop

Revision 03

All dimensions are in inches

Information in this drawing is provided for reference only

Image 2