

## DATASHEET

PART NUMBER

### WES690-8-875-SCA-TF

**Wescon 690 Microstop - M8x1 - 22 mm Cutter  
Capacity - Straight Cutaway**

LARGE CAPACITY UNITS

WEBSITE

<https://www.wesconusa.com/products/WES690-8-875-SCA-TF>



\* The image represents the general look of the series. Actual product may vary based on options selected.

## SPECIFICATIONS

|                                  |                  |
|----------------------------------|------------------|
| <b>Measurement Type</b>          | Metric           |
| <b>Bearing Rating</b>            | 3,000 rpm        |
| <b>Bearing Type</b>              | Bronze Bearing   |
| <b>Heavy Duty Thrust Bearing</b> | Yes              |
| <b>Incremental Adjustment</b>    | 0.013 mm         |
| <b>Shaft Travel</b>              | 12.70 mm         |
| <b>Dust Seal</b>                 | No               |
| <b>Cutter Thread</b>             | M8x1             |
| <b>Shaft</b>                     | Tri-Flat         |
| <b>Shaft Diameter</b>            | 9.525 mm         |
| <b>Cutter Capacity</b>           | 22 mm            |
| <b>Skirt</b>                     | Straight Cutaway |
| <b>Solid Stop</b>                | No               |
| <b>Material</b>                  | Steel            |
| <b>Country of Origin</b>         | USA              |

**ADDITIONAL IMAGES AND DRAWINGS**

**WES690 Series Microstop**



**Part Number**  
**WES690-XX-XX-XX-XX**

- Shaft Option
- Foot Style
- Skirt Option\*
- Cutter Capacity
- Shaft Thread

Incremental Adjustment: 0.0005 in  
 Shaft Travel: 0.500 in  
 Material: Carbon Steel Body with  
 Hardened Tool Steel Shaft

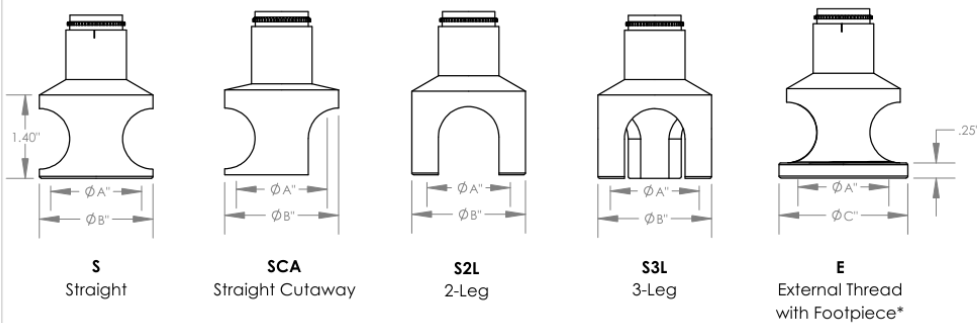
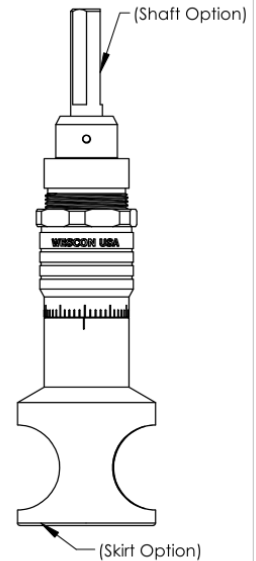
Bearing Rating: 3,000 rpm  
 Bearing Type: Bronze Bearing  
 Heavy Duty Thrust Bearing: Yes  
 Solid Stop: Yes

| Code    | Shaft Thread |
|---------|--------------|
| (Blank) | 3/8-24       |
| 4320    | 7/16-20      |
| 8       | M8x1         |
| 10      | M10x1        |

| Code | Foot Style |
|------|------------|
| N    | Nylon      |
| S    | Steel      |

| Code | Shaft Option |
|------|--------------|
| TF   | Tri Flat     |

| Code | Cutter Capacity | Ø A            | OD for S, SCA, S2L & S3L |               | OD for E & SE |     |
|------|-----------------|----------------|--------------------------|---------------|---------------|-----|
|      |                 |                | Ø B                      | Ø C           | Ø B           | Ø C |
| 875  | 7/8"(22 mm)     | 1" (25.4 mm)   | 1-3/16" (30 mm)          | 1.40 (36 mm)  |               |     |
| 1000 | 1"(25 mm)       | 1-1/8" (29 mm) | 1-3/8" (35 mm)           | 1.56 (40 mm)  |               |     |
| 1250 | 1-1/4"(32 mm)   | 1-3/8" (35 mm) | 1-5/8" (42 mm)           | 1.81 (46 mm)  |               |     |
| 1375 | 1-3/8"(35 mm)   | 1-1/2" (38 mm) | 1-7/8" (48 mm)           | 2.13 (54 mm)  |               |     |
| 1500 | 1-1/2"(38 mm)   | 1-5/8" (42 mm) | 2" (50.8 mm)             | 2.25 (57 mm)  |               |     |
| 2000 | 2"(50.8 mm)     | 2-1/4" (58 mm) | 2-1/2" (64 mm)           | 2.630 (67 mm) |               |     |



\*Select foot style from table



Part Number **WES690**

Do not modify, copy, distribute, or reproduce this drawing without prior written authorization.

© 2025 Wescon Industries Inc.  
 601 Century Plaza Dr. Houston, TX 77073, US  
 www.wesconusa.com

Wescon 690 Microstop

Revision 04 All dimensions are in Inches Information in this drawing is provided for reference only

Image 1