

DATASHEET

PART NUMBER

WES696-10-1000-S3L-QC

**Wescon 696 Microstop - M10x1 - 25 mm Cutter
Capacity - 3-Leg**

LARGE CAPACITY UNITS FOR STEEL, ALUMINUM &
COMPOSITES

WEBSITE

<https://www.wesconusa.com/products/WES696-10-1000-S3L-QC>



* The image represents the general look of the series. Actual product may vary based on options selected.

SPECIFICATIONS

| | |
|----------------------------------|----------------------|
| Measurement Type | Metric |
| Bearing Rating | 10,000 rpm |
| Bearing Type | Dual Ball-Bearings |
| Heavy Duty Thrust Bearing | Yes |
| Incremental Adjustment | 0.013 mm |
| Shaft Travel | 12.70 mm |
| Dust Seal | Integrated Dust Seal |
| Cutter Thread | M10x1 |
| Shaft | Quick Change |
| Shaft Diameter | 9.525 mm |
| Cutter Capacity | 25 mm |
| Skirt | 3-Leg |
| Solid Stop | Yes |
| Material | Steel |
| Country of Origin | USA |

ADDITIONAL IMAGES AND DRAWINGS

WES696 Series Microstop



Part Number
WES696-XX-XX-XX-XX



Incremental Adjustment: 0.0005 in
Shaft Travel: 0.500 in
Material: Carbon Steel Body with
Hardened Tool Steel Shaft

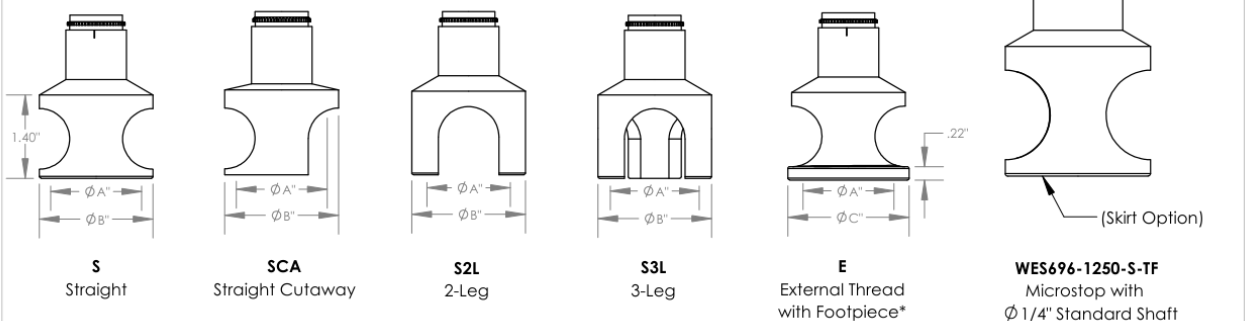
Bearing Rating: 10,000 rpm
Bearing Type: Dual Ball Bearings
Dust Seal: Integrated Dust Seal
Heavy Duty Thrust Bearing: Yes
Solid Stop: Yes

| Code | Shaft Thread |
|---------|--------------|
| (Blank) | 3/8-24 |
| 4320 | 7/16-20 |
| 8 | M8x1 |
| 10 | M10x1 |

| Code | Shaft Option |
|---------|--------------|
| (Blank) | Round |
| QC | Quick Change |
| TF | Tri Flat |

| Code | Foot Style |
|------|------------|
| N | Nylon |
| S | Steel |

| Code | Cutter Capacity | Ø A | OD for S, SCA, S2L & S3L | | OD for E & SE | |
|------|-----------------|----------------|--------------------------|---------------|---------------|-----|
| | | | Ø B | Ø C | Ø C | Ø C |
| 875 | 7/8"(22 mm) | 1" (25.4 mm) | 1-3/16" (30 mm) | 1.40 (36 mm) | | |
| 1000 | 1"(25 mm) | 1-1/8" (29 mm) | 1-3/8" (35 mm) | 1.56 (40 mm) | | |
| 1250 | 1-1/4"(32 mm) | 1-3/8" (35 mm) | 1-5/8" (42 mm) | 1.81 (46 mm) | | |
| 1375 | 1-3/8"(35 mm) | 1-1/2" (38 mm) | 1-7/8" (48 mm) | 2.13 (54 mm) | | |
| 1500 | 1-1/2"(38 mm) | 1-5/8" (42 mm) | 2" (50.8 mm) | 2.25 (57 mm) | | |
| 2000 | 2"(50.8 mm) | 2-1/4" (58 mm) | 2-1/2" (64 mm) | 2.630 (67 mm) | | |



*Select foot style from table



Part Number

WES696

Do not modify, copy, distribute, or reproduce this drawing without prior written authorization.

© 2025 Wescon Industries Inc.
601 Century Plaza Dr. Houston, TX 77073, US
www.wesconusa.com

Wescon 696 Microstop

Revision 03

All dimensions are in Inches
Information in this drawing is provided for reference only

Image 1