

## DATASHEET

PART NUMBER

# WES696-1375-S3L-4320-QC

**Wescon 696 Microstop - 7/16-20 - 1-3/8" Cutter Capacity - 3-Leg**

LARGE CAPACITY UNITS FOR STEEL, ALUMINUM & COMPOSITES

WEBSITE

<https://www.wesconusa.com/products/WES696-1375-S3L-4320-QC>



\* The image represents the general look of the series. Actual product may vary based on options selected.

## SPECIFICATIONS

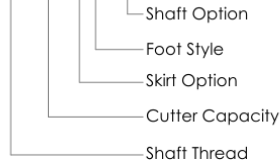
<b>Measurement Type</b>	Imperial
<b>Bearing Rating</b>	10,000 rpm
<b>Bearing Type</b>	Dual Ball-Bearings
<b>Heavy Duty Thrust Bearing</b>	Yes
<b>Incremental Adjustment</b>	0.0005 in
<b>Shaft Travel</b>	1/2 in
<b>Dust Seal</b>	Integrated Dust Seal
<b>Cutter Thread</b>	7/16-20
<b>Shaft</b>	Quick Change
<b>Shaft Diameter</b>	3/8 in
<b>Cutter Capacity</b>	1-3/8 in
<b>Skirt</b>	3-Leg
<b>Solid Stop</b>	Yes
<b>Material</b>	Steel
<b>Country of Origin</b>	USA

## ADDITIONAL IMAGES AND DRAWINGS

### WES696 Series Microstop



**Part Number**  
WES696-XX-XX-XX-XX



Incremental Adjustment: 0.0005 in  
Shaft Travel: 0.500 in  
Material: Carbon Steel Body with  
Hardened Tool Steel Shaft

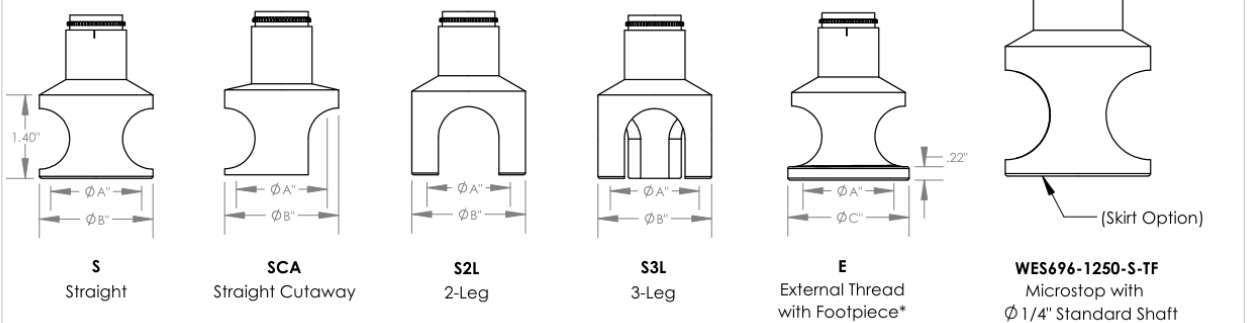
Bearing Rating: 10,000 rpm  
Bearing Type: Dual Ball Bearings  
Dust Seal: Integrated Dust Seal  
Heavy Duty Thrust Bearing: Yes  
Solid Stop: Yes

Code	Shaft Thread
(Blank)	3/8-24
4320	7/16-20
8	M8x1
10	M10x1

Code	Shaft Option
(Blank)	Round
QC	Quick Change
TF	Tri Flat

Code	Foot Style
N	Nylon
S	Steel

Code	Cutter Capacity	Ø A	OD for S, SCA, S2L & S3L		OD for E & SE	
			Ø B	Ø C	Ø C	Ø C
875	7/8"(22 mm)	1" (25.4 mm)	1-3/16" (30 mm)	1.40 (36 mm)		
1000	1"(25 mm)	1-1/8" (29 mm)	1-3/8" (35 mm)	1.56 (40 mm)		
1250	1-1/4"(32 mm)	1-3/8" (35 mm)	1-5/8" (42 mm)	1.81 (46 mm)		
1375	1-3/8"(35 mm)	1-1/2" (38 mm)	1-7/8" (48 mm)	2.13 (54 mm)		
1500	1-1/2"(38 mm)	1-5/8" (42 mm)	2" (50.8 mm)	2.25 (57 mm)		
2000	2"(50.8 mm)	2-1/4" (58 mm)	2-1/2" (64 mm)	2.630 (67 mm)		



\*Select foot style from table



Part Number

**WES696**

Do not modify, copy, distribute, or reproduce this drawing without prior written authorization.

© 2025 Wescon Industries Inc.  
601 Century Plaza Dr. Houston, TX 77073, US  
www.wesconusa.com

Wescon 696 Microstop

Revision 03

All dimensions are in Inches  
Information in this drawing is provided for reference only

Image 1