

## DATASHEET

PART NUMBER

### WES696-1500-SEN-TF

**Wescon 696 Microstop - 3/8-24 - 1-1/2" Cutter Capacity - Slotted Skirt External Nylon Foot**

LARGE CAPACITY UNITS FOR STEEL, ALUMINUM & COMPOSITES

WEBSITE

<https://www.wesconusa.com/products/WES696-1500-SEN-TF>



## SPECIFICATIONS

Measurement Type	Imperial
Bearing Rating	10,000 rpm
Bearing Type	Dual Ball-Bearings
Heavy Duty Thrust Bearing	Yes
Incremental Adjustment	0.0005 in
Shaft Travel	1/2 in
Dust Seal	Integrated Dust Seal
Cutter Thread	3/8-24
Shaft	Tri-Flat
Shaft Diameter	3/8 in
Cutter Capacity	1-1/2 in
Skirt	Slotted External Thread
Foot	Nylon
Solid Stop	Yes
Material	Steel
Country of Origin	USA

**ADDITIONAL IMAGES AND DRAWINGS**

**WES696 Series Microstop**



**Part Number**  
WES696-XX-XX-XX-XX



Incremental Adjustment: 0.0005 in  
Shaft Travel: 0.500 in  
Material: Carbon Steel Body with  
Hardened Tool Steel Shaft

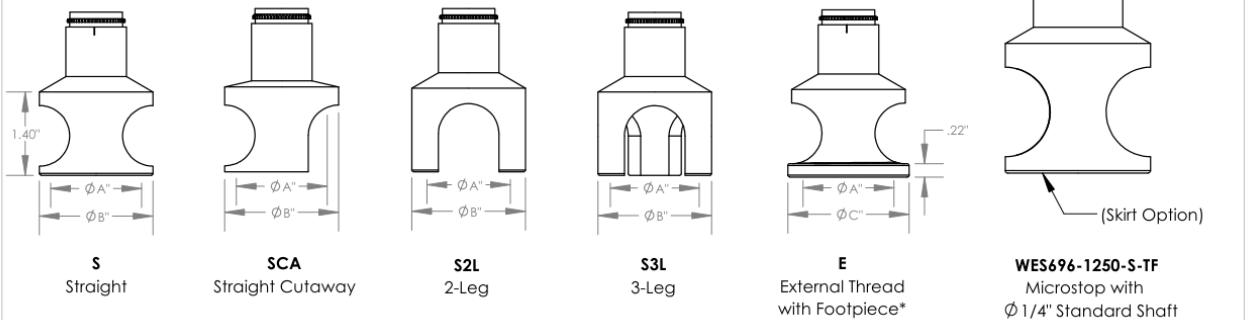
Bearing Rating: 10,000 rpm  
Bearing Type: Dual Ball Bearings  
Dust Seal: Integrated Dust Seal  
Heavy Duty Thrust Bearing: Yes  
Solid Stop: Yes

Code	Shaft Thread
(Blank)	3/8-24
4320	7/16-20
8	M8x1
10	M10x1

Code	Shaft Option
(Blank)	Round
QC	Quick Change
TF	Tri Flat

Code	Foot Style
N	Nylon
S	Steel

Code	Cutter Capacity	Ø A	OD for S, SCA, S2L & S3L		OD for E & SE	
			Ø B	Ø C	Ø C	Ø C
875	7/8"(22 mm)	1" (25.4 mm)	1-3/16" (30 mm)	1.40 (36 mm)		
1000	1"(25 mm)	1-1/8" (29 mm)	1-3/8" (35 mm)	1.56 (40 mm)		
1250	1-1/4"(32 mm)	1-3/8" (35 mm)	1-5/8" (42 mm)	1.81 (46 mm)		
1375	1-3/8"(35 mm)	1-1/2" (38 mm)	1-7/8" (48 mm)	2.13 (54 mm)		
1500	1-1/2"(38 mm)	1-5/8" (42 mm)	2" (50.8 mm)	2.25 (57 mm)		
2000	2"(50.8 mm)	2-1/4" (58 mm)	2-1/2" (64 mm)	2.630 (67 mm)		



\*Select foot style from table



Part Number **WES696**

Do not modify, copy, distribute, or reproduce this drawing without prior written authorization.

© 2025 Wescon Industries Inc.  
601 Century Plaza Dr. Houston, TX 77073, US  
www.wesconusa.com

Wescon 696 Microstop

Revision 03 All dimensions are in Inches Information in this drawing is provided for reference only

Image 1