

## DATASHEET

PART NUMBER

### WES696-2000-SEN-TF

**Wescon 696 Microstop - 3/8-24 - 2" Cutter  
Capacity - Slotted Skirt External Nylon Foot**

LARGE CAPACITY UNITS FOR STEEL, ALUMINUM &  
COMPOSITES

WEBSITE

<https://www.wesconusa.com/products/WES696-2000-SEN-TF>



\* The image represents the general look of the series. Actual product may vary based on options selected.

## SPECIFICATIONS

|                           |                         |
|---------------------------|-------------------------|
| Measurement Type          | Imperial                |
| Bearing Rating            | 10,000 rpm              |
| Bearing Type              | Dual Ball-Bearings      |
| Heavy Duty Thrust Bearing | Yes                     |
| Incremental Adjustment    | 0.0005 in               |
| Shaft Travel              | 1/2 in                  |
| Dust Seal                 | Integrated Dust Seal    |
| Cutter Thread             | 3/8-24                  |
| Shaft                     | Tri-Flat                |
| Shaft Diameter            | 3/8 in                  |
| Cutter Capacity           | 2 in                    |
| Skirt                     | Slotted External Thread |
| Foot                      | Nylon                   |
| Solid Stop                | Yes                     |
| Material                  | Steel                   |
| Country of Origin         | USA                     |

**ADDITIONAL IMAGES AND DRAWINGS**

**WES696 Series Microstop**

**Part Number**

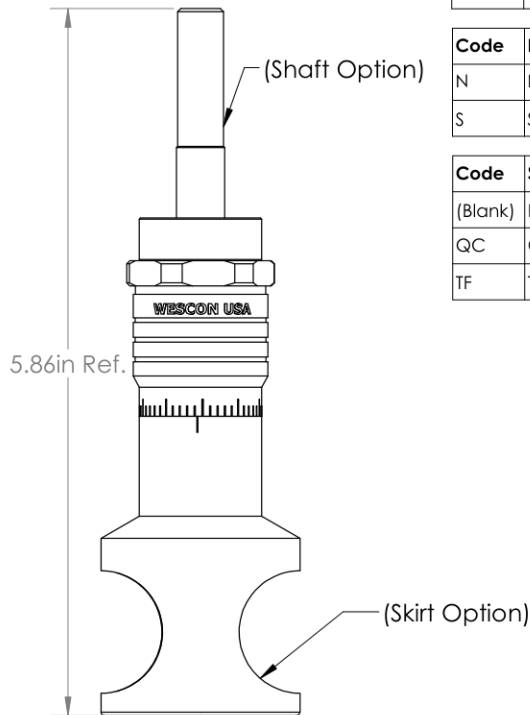
WES696-XX-XX-XX-XX

- Shaft Option
- Foot Style
- Skirt Option\*
- Cutter Capacity
- Shaft Thread



Incremental Adjustment: 0.0005 in  
 Shaft Travel: 0.500 in  
 Material: Carbon Steel Body with  
 Hardened Tool Steel Shaft

Bearing Rating: 10,000 rpm  
 Bearing Type: Dual Ball Bearings  
 Dust Seal: Integrated Dust Seal  
 Heavy Duty Thrust Bearing: Yes  
 Solid Stop: Yes



| Code  | Shaft Thread |
|-------|--------------|
| Blank | 3/8-24       |
| 4320  | 7/16-20      |
| 8     | M8x1         |
| 10    | M10x1        |

| Code | Cutter Capacity |
|------|-----------------|
| 875  | 7/8"(22mm)      |
| 1000 | 1"(25mm)        |
| 1250 | 1-1/4"(32mm)    |
| 1375 | 1-3/8"(35mm)    |
| 1500 | 1-1/2"(38mm)    |
| 2000 | 2"(50.8mm)      |

| Code | Foot Style |
|------|------------|
| N    | Nylon      |
| S    | Steel      |

| Code    | Shaft Option |
|---------|--------------|
| (Blank) | Round        |
| QC      | Quick Change |
| TF      | Tri Flat     |

\*For skirt options see next page and website.



Part Number

**WES696**

Do not modify, copy, distribute, or reproduce this drawing without prior written authorization.

© 2025 Wescon Industries Inc.  
 601 Century Plaza Dr. Houston, TX 77073. US  
 www.wesconusa.com

Wescon 696 Microstop

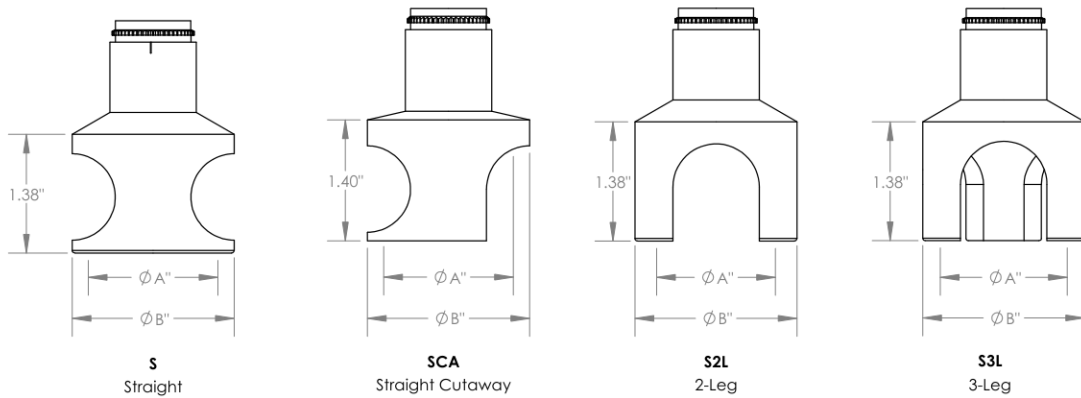
Revision 02

All dimensions are in inches

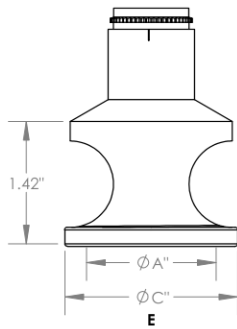
Information in this drawing is provided for reference only

Image 1

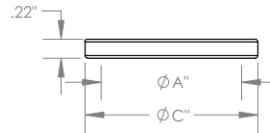
### Skirt Option



### Foot Style For External Thread



External Thread  
Choose Foot Style From Table



| Part Number | Material |
|-------------|----------|
| 59631-N     | Nylon    |
| 59631-S     | Steel    |
| 59631-P     | Phenolic |

| Code | Cutter Capacity | $\phi A$       | OD for S,SCA,S2L & S3L |                 | OD for E & SE |
|------|-----------------|----------------|------------------------|-----------------|---------------|
|      |                 |                | $\phi B$               | $\phi C$        |               |
| 875  | 7/8"(22 mm)     | 7/8" (22 mm)   | 1-3/16" (30 mm)        | 1.317 (33 mm)   |               |
| 1000 | 1"(25 mm)       | 1-5/8" (42 mm) | 1-7/8" (48 mm)         | 1.945 (49 mm)   |               |
| 1250 | 1-1/4"(32 mm)   | 1-1/2" (38 mm) | 1-5/8" (42 mm)         | 1.755 (45 mm)   |               |
| 1375 | 1-3/8"(35 mm)   | 1-5/8" (42 mm) | 1-7/8" (48 mm)         | 2.005 (50.8 mm) |               |
| 1500 | 1-1/2"(38 mm)   | 1-1/2" (38 mm) | 2" (50.8 mm)           | 2.130 (54 mm)   |               |
| 2000 | 2"(50.8 mm)     | 2-1/4" (58 mm) | 2-1/2" (64 mm)         | 2.630 (67 mm)   |               |



Part Number

**WES696**

Do not modify, copy, distribute, or reproduce this drawing without prior written authorization.

© 2025 Wescon Industries Inc.  
601 Century Plaza Dr. Houston, TX 77073, US  
www.wesconusa.com

Wescon 696 Microstop

Revision 02

All dimensions are in inches

Information in this drawing is provided for reference only

Image 2