

DATASHEET

PART NUMBER

WES696-875-TF

**Wescon 696 Microstop - 3/8-24 - 7/8" Cutter
Capacity - Straight**

LARGE CAPACITY UNITS FOR STEEL, ALUMINUM &
COMPOSITES

WEBSITE

<https://www.wesconusa.com/products/WES696-875-TF>



SPECIFICATIONS

| | |
|---------------------------|----------------------|
| Measurement Type | Imperial |
| Bearing Rating | 10,000 rpm |
| Bearing Type | Dual Ball-Bearings |
| Heavy Duty Thrust Bearing | Yes |
| Incremental Adjustment | 0.0005 in |
| Shaft Travel | 1/2 in |
| Dust Seal | Integrated Dust Seal |
| Cutter Thread | 3/8-24 |
| Shaft | Tri-Flat |
| Shaft Diameter | 3/8 in |
| Cutter Capacity | 7/8 in |
| Skirt | Straight |
| Solid Stop | Yes |
| Material | Steel |
| Country of Origin | USA |

ADDITIONAL IMAGES AND DRAWINGS

WES696 Series Microstop

Part Number
WES696-XX-XX-XX-XX


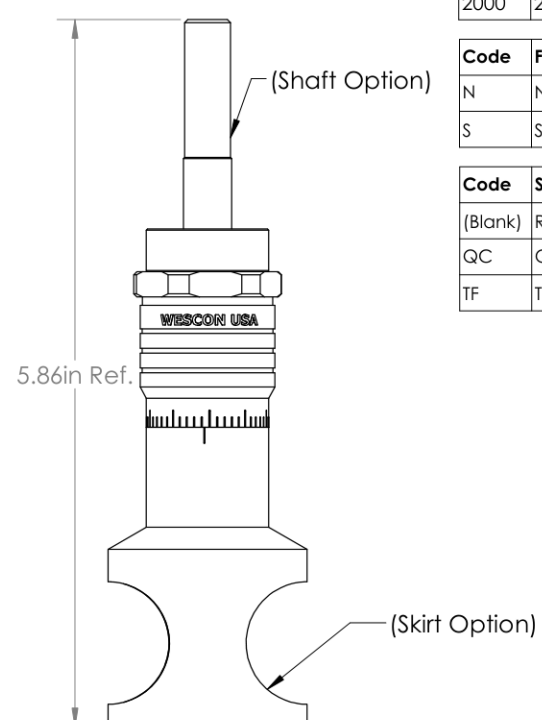
- Shaft Option
- Foot Style
- Skirt Option*
- Cutter Capacity
- Shaft Thread

| Code | Shaft Thread |
|-------|--------------|
| Blank | 3/8-24 |
| 4320 | 7/16-20 |
| 8 | M8x1 |
| 10 | M10x1 |

| Code | Cutter Capacity |
|------|-----------------|
| 875 | 7/8"(22mm) |
| 1000 | 1"(25mm) |
| 1250 | 1-1/4"(32mm) |
| 1375 | 1-3/8"(35mm) |
| 1500 | 1-1/2"(38mm) |
| 2000 | 2"(50.8mm) |

| Code | Foot Style |
|------|------------|
| N | Nylon |
| S | Steel |


| Code | Shaft Option |
|---------|--------------|
| (Blank) | Round |
| QC | Quick Change |
| TF | Tri Flat |

Incremental Adjustment: 0.0005 in
 Shaft Travel: 0.500 in
 Material: Carbon Steel Body with Hardened Tool Steel Shaft

Bearing Rating: 10,000 rpm
 Bearing Type: Dual Ball Bearings
 Dust Seal: Integrated Dust Seal
 Heavy Duty Thrust Bearing: Yes
 Solid Stop: Yes

*For skirt options see next page and website.



Part Number
WES696

Revision 02

Do not modify, copy, distribute, or reproduce this drawing without prior written authorization.

© 2025 Wescon Industries Inc.
 601 Century Plaza Dr. Houston, TX 77073. US
 www.wesconusa.com

Information in this drawing is provided for reference only

Image 1

Skirt Option



Foot Style For External Thread



E
External Thread
Choose Foot Style From Table



| Part Number | Material |
|-------------|----------|
| 59631-N | Nylon |
| 59631-S | Steel |
| 59631-P | Phenolic |

| Code | Cutter Capacity | ϕA | OD for S,SCA,S2L & S3L | | OD for E & SE |
|------|-----------------|----------------|------------------------|-----------------|---------------|
| | | | ϕB | ϕC | |
| 875 | 7/8"(22 mm) | 7/8" (22 mm) | 1-3/16" (30 mm) | 1.317 (33 mm) | |
| 1000 | 1"(25 mm) | 1-5/8" (42 mm) | 1-7/8" (48 mm) | 1.945 (49 mm) | |
| 1250 | 1-1/4"(32 mm) | 1-1/2" (38 mm) | 1-5/8" (42 mm) | 1.755 (45 mm) | |
| 1375 | 1-3/8"(35 mm) | 1-5/8" (42 mm) | 1-7/8" (48 mm) | 2.005 (50.8 mm) | |
| 1500 | 1-1/2"(38 mm) | 1-1/2" (38 mm) | 2" (50.8 mm) | 2.130 (54 mm) | |
| 2000 | 2"(50.8 mm) | 2-1/4" (58 mm) | 2-1/2" (64 mm) | 2.630 (67 mm) | |



Part Number

WES696

Do not modify, copy, distribute, or reproduce this drawing without prior written authorization.

© 2025 Wescon Industries Inc.
601 Century Plaza Dr. Houston, TX 77073, US
www.wesconusa.com

Wescon 696 Microstop

Revision 02

All dimensions are in inches

Information in this drawing is provided for reference only

Image 2