

## DATASHEET

PART NUMBER

### WES696-ES-2375-TL

**Wescon Taper Lok Microstop - 7/16-20 - 1"**  
**Cutter Capacity - Straight Skirt**

TAPER LOK MICROSTOP UNIT

WEBSITE

<https://www.wesconusa.com/products/WES696-ES-2375-TL>



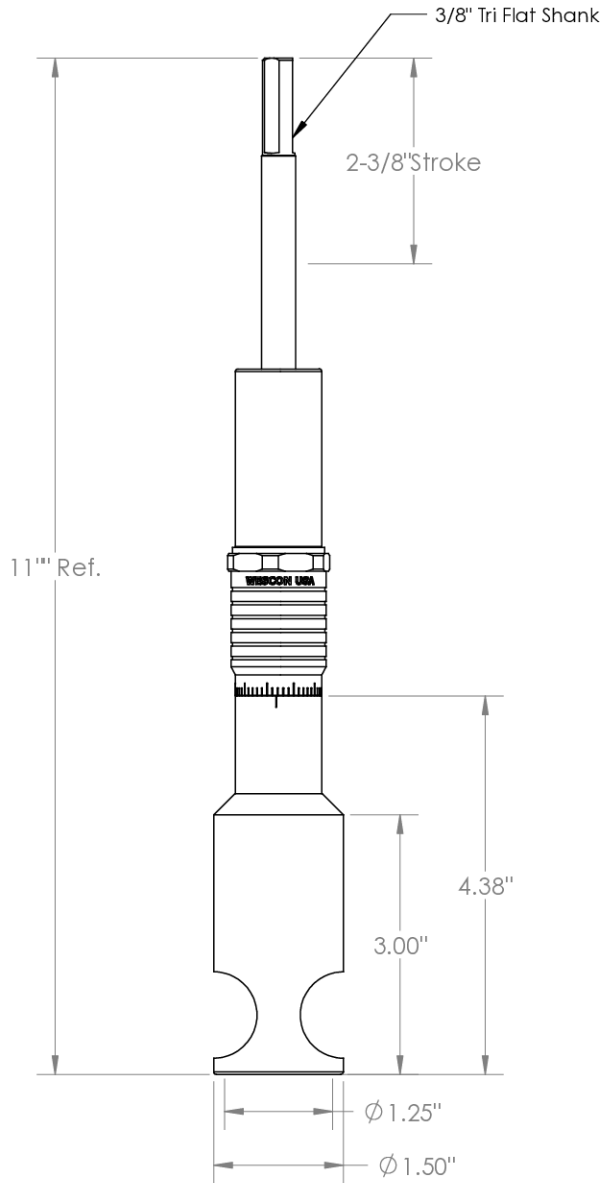
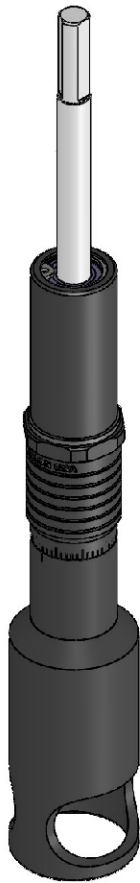
## SPECIFICATIONS

<b>Bearing Rating</b>	10,000 rpm
<b>Bearing Type</b>	Dual Ball Bearings
<b>Heavy Duty Thrust Bearing</b>	Yes
<b>Incremental Adjustment</b>	0.0005 in
<b>Shaft Travel</b>	2-3/8 in
<b>Dust Seal</b>	Integrated Dust Seal
<b>Cutter Thread</b>	7/16-20
<b>Shaft</b>	3/8" Tri-Flat
<b>Cutter Capacity</b>	1 in
<b>Skirt</b>	Straight
<b>Solid Stop</b>	Yes
<b>Material</b>	Steel
<b>Country of Origin</b>	USA

**ADDITIONAL IMAGES AND DRAWINGS**



Image 1



Incremental Adjustment: 0.0005"  
 Shaft Travel: 2-3/8"  
 Cutter Thread: 7/16-20  
 Material: Carbon Steel Body with Hardened  
 Tool Steel Shaft

Bearing Rating: 10,000 rpm  
 Cutter Capacity: 1.00"  
 Bearing Type: Dual Ball Bearings  
 Dust Seal: Integrated Dust Seal  
 Heavy Duty Thrust Bearing  
 Solid Stop  
 Skirt: Straight

		Part Number <b>WES696-ES-2375-TL</b>
<small>Do not modify, copy, distribute, or reproduce this drawing without prior written authorization.</small>		<b>Wescon 696 Taper Lok Long Microstop</b>
Revision 00	<small>All dimensions are in inches. Information in this drawing is provided for reference only.</small>	

Image 2