

DATASHEET

PART NUMBER

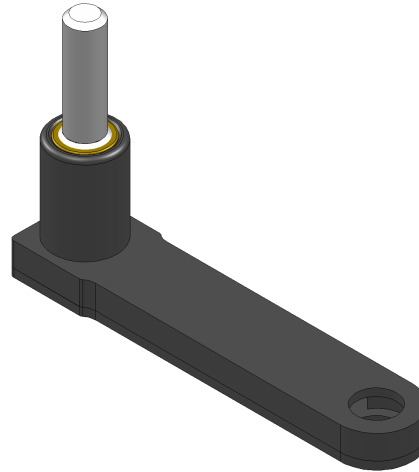
WES930-QC

Pancake Drill Attachment Quick Change Shaft Straight 2.29 in Offset

Offset L-Type Extended Flat Angle Drill Attachment

WEBSITE

<https://www.wesconusa.com/products/WES930-QC>



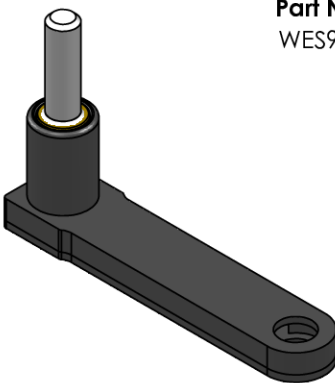
* The image represents the general look of the series. Actual product may vary based on options selected.

For access to very tight areas. The WES900 series is designed to fit 1/4"-28 threaded drill bits and has a 1/4" round shaft. Choose from straight, right hand, or left hand styles with various offsets. Optional tri-flats or quick change shafts are available. A 1/2" round handle is standard, with an optional 11/16" hex handle available. Also known as a L-Type drill attachment, drill offset, drill right angle attachment, pancake drill attachment, or drill offset adapter.

SPECIFICATIONS

Shaft	Quick Change
Handle	1/2" Round
Spindle Thread	1/4-28
Spindle Offset	.281 in
Drill Offset	2.29 in
Overall Length	2.85 in
Overall Height	1.85 in
Thickness	.250 in
Width	.563 in
Style	Straight
Country of Origin	USA

ADDITIONAL IMAGES AND DRAWINGS

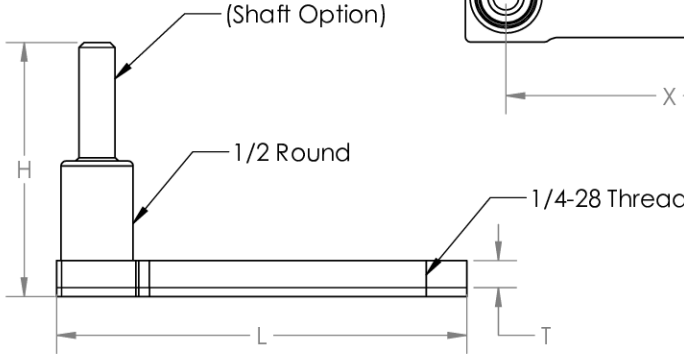


Part Number
WES930-XX

Shaft Option

Code	Shaft Option
(Blank)	1/4 Round
-QC	Quick Change
-TF	Tri Flat
-TS	Threaded Shaft with 1/4 Wrench Flat

Model Number	WES930
Spindle Thread	1/4-28
O Spindle Offset	0.281
X Drill Offset	2.29
L Overall Length	2.85
H Overall Height	1.85
T Thickness	0.250
W Width	0.563
Style	Straight



(Shaft Option)

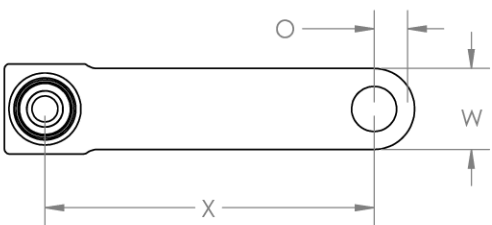
1/2 Round

1/4-28 Thread

L

H

T




O

X

W

Light Duty with sleeve bearing shaft
to run upto 3000 RPM



Part Number
WES930

© 2025 Wescon Industries Inc.
401 Century Plaza Dr. Houston, TX 77073, US
www.wesconusa.com

Offset Angle Drilling Attachment

All dimensions are in Inches. Information in this drawing is provided for reference only.

Image 1