

DATASHEET

PART NUMBER

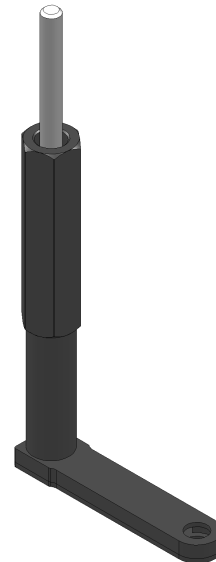
WES935-QC

Pancake Drill Attachment Quick Change Shaft Straight 2.29 in Offset

Offset L-Type Extended Flat Angle Drill Attachment

WEBSITE

<https://www.wesconusa.com/products/WES935-QC>



* The image represents the general look of the series. Actual product may vary based on options selected.

For access to very tight areas. The WES900 series is designed to fit 1/4"-28 threaded drill bits and has a 1/4" round shaft. Choose from straight, right hand, or left hand styles with various offsets. Optional tri-flats or quick change shafts are available. A 1/2" round handle is standard, with an optional 11/16" hex handle available. Also known as a L-Type drill attachment, drill offset, drill right angle attachment, pancake drill attachment, or drill offset adapter.

SPECIFICATIONS

Shaft	Quick Change
Handle	1/2" Round
Spindle Thread	1/4-28
Spindle Offset	.281 in
Drill Offset	2.29 in
Overall Length	2.85 in
Overall Height	5.45 in
Thickness	.250 in
Width	.563 in
Style	Straight
Country of Origin	USA

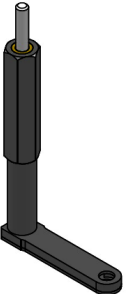
ADDITIONAL IMAGES AND DRAWINGS



Image 1



Image 2

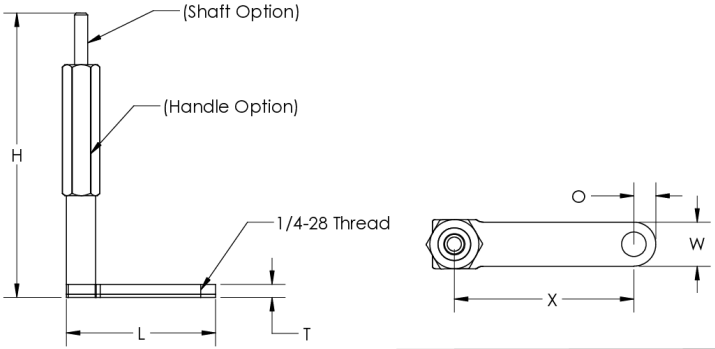


Part Number
WES935-XX-XX

Shaft Option
Handle Option

Code	Shaft Option	Code	Handle Option
[Blank]	1/4 Round	[Blank]	1/2 Round
-QC	Quick Change	-HX	11/16 Hex
-TF	Tri Flat		

Model Number	WES935
Spindle Thread	1/4-28
Spindle Offset	0.281
Drill Offset	2.29
Overall Length	2.85
Overall Height	5.45
Thickness	0.250
Width	0.563
Style	Straight



Light Duty with sleeve bearing shaft to run upto 3000 RPM

All dimensions are in inches

Information in this drawing is provided for reference only


 © 2025 Wescon Industries Inc. 601 Century Plaza Dr. Houston, TX 77073, US www.wesconusa.com	Part Number WES935
	Offset Angle Drilling Attachment

Image 3