

DATASHEET

PART NUMBER

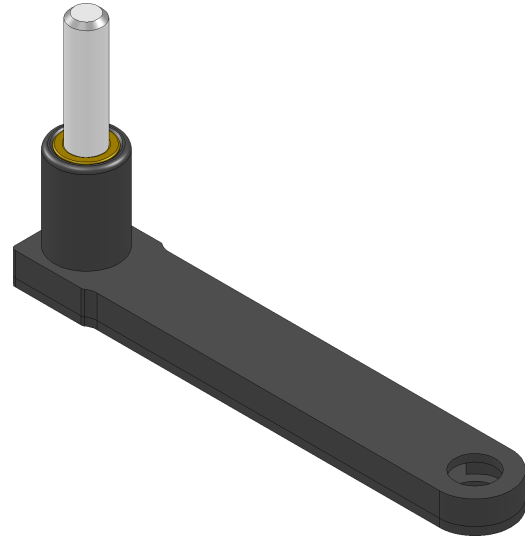
WES960

**Pancake Drill Attachment 1/4 Round Shaft
Straight 3.05 in Offset**

Offset L-Type Extended Flat Angle Drill Attachment

WEBSITE

<https://www.wesconusa.com/products/WES960>



For access to very tight areas. The WES900 series is designed to fit 1/4"-28 threaded drill bits and has a 1/4" round shaft. Choose from straight, right hand, or left hand styles with various offsets. A 1/2" round handle is standard, with an optional 11/16" hex handle available. Also known as a L-Type drill attachment, drill offset, drill right angle attachment, pancake drill attachment, or drill offset adapter.

SPECIFICATIONS

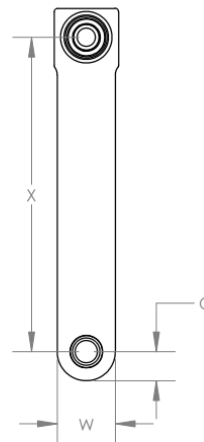
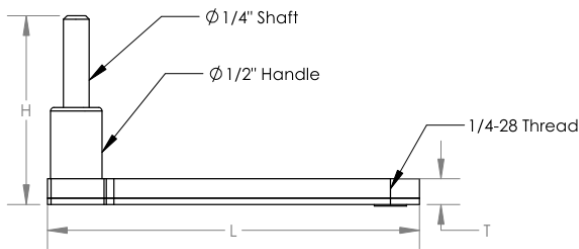
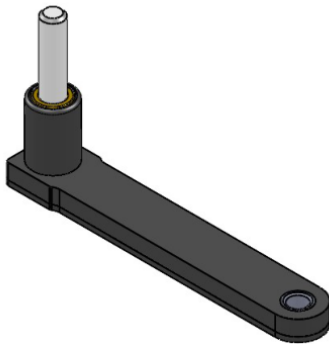
Shaft	1/4 Round
Handle	1/2" Round
Spindle Thread	1/4-28
Spindle Offset	.281 in
Drill Offset	3.05 in
Overall Length	3.61 in
Overall Height	1.85 in
Thickness	.250 in
Width	.563 in
Style	Straight
Rotation Configuration	Standard
Country of Origin	USA

ADDITIONAL IMAGES AND DRAWINGS

WES960 Drill Attachment

Part Number
WES960

	Model Number	WES960
	Spindle Thread	1/4-28
O	Spindle Offset	0.281"
X	Drill Offset	3.05"
L	Overall Length	3.61"
H	Overall Height	1.85"
T	Thickness	0.250"
W	Width	0.563"
	Style	Straight



Notes:

Light Duty with sleeve bearing shaft to run upto 3000 RPM



Part Number
WES960

Do not modify, copy, distribute, or reproduce this drawing without prior written authorization.

© 2025 Wescon Industries Inc.
601 Century Plaza Dr. Houston, TX 77073, US
www.wesconusa.com

Offset Angle Drilling Attachment

Revision 06 All dimensions are in Inches Information in this drawing is provided for reference only

Image 1