

DATASHEET

PART NUMBER

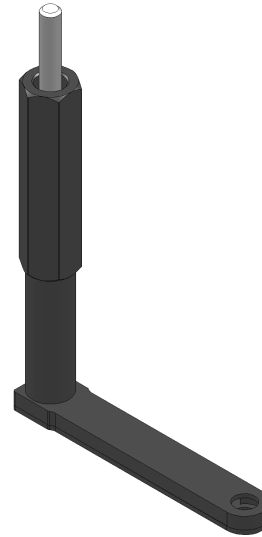
WES965-HX-TF

Pancake Drill Attachment Tri-Flats Shaft Straight 3.05 in Offset

Offset L-Type Extended Flat Angle Drill Attachment

WEBSITE

<https://www.wesconusa.com/products/WES965-HX-TF>



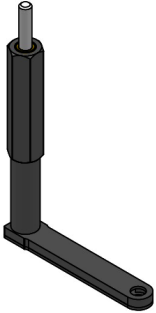
* The image represents the general look of the series. Actual product may vary based on options selected.

For access to very tight areas. The WES900 series is designed to fit 1/4"-28 threaded drill bits and has a 1/4" round shaft. Choose from straight, right hand, or left hand styles with various offsets. Optional tri-flats or quick change shafts are available. A 1/2" round handle is standard, with an optional 11/16" hex handle available. Also known as a L-Type drill attachment, drill offset, drill right angle attachment, pancake drill attachment, or drill offset adapter.

SPECIFICATIONS

| | |
|-------------------|-----------|
| Shaft | Tri-Flats |
| Handle | 11/16 Hex |
| Spindle Thread | 1/4-28 |
| Spindle Offset | .281 in |
| Drill Offset | 3.05 in |
| Overall Length | 3.61 in |
| Overall Height | 5.45 in |
| Thickness | .250 in |
| Width | .563 in |
| Style | Straight |
| Country of Origin | USA |

ADDITIONAL IMAGES AND DRAWINGS

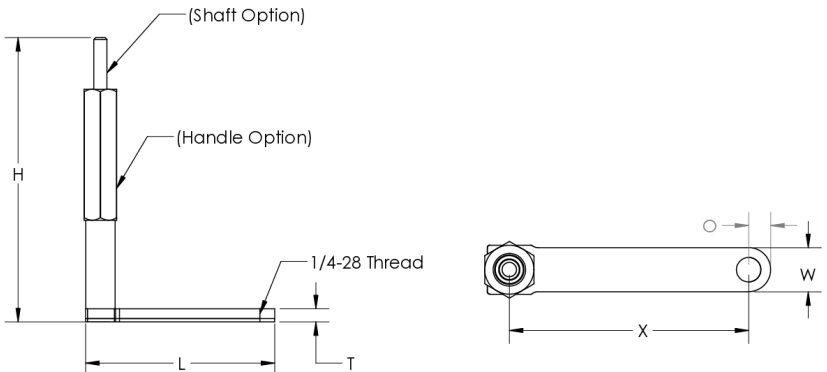


Part Number
WES965-XX-XX

Shaft Option
Handle Option

| Code | Shaft Option | Code | Handle Option |
|---------|--------------|---------|---------------|
| (Blank) | 1/4 Round | (Blank) | 1/2 Round |
| -QC | Quick Change | -HX | 11/16 Hex |
| -TF | Tri Flat | | |

| | |
|------------------|----------|
| Model Number | WES965 |
| Spindle Thread | 1/4-28 |
| O Spindle Offset | 0.281 |
| X Drill Offset | 3.05 |
| L Overall Length | 3.61 |
| H Overall Height | 5.45 |
| T Thickness | 0.250 |
| W Width | 0.563 |
| Style | Straight |



Light Duty with sleeve bearing shaft to run upto 3000 RPM

All dimensions are in inches

Information in this drawing is provided for reference only


| | |
|-------------------------------------------------------------------------------------------------------------------------------------------------------------------------------------------|----------------------------------|
|  © 2025 Wescon Industries Inc. 601 Century Plaza Dr. Houston, TX 77073, US www.wesconusa.com | Part Number WES965 |
| | Offset Angle Drilling Attachment |

Image 1