

## DATASHEET

PART NUMBER

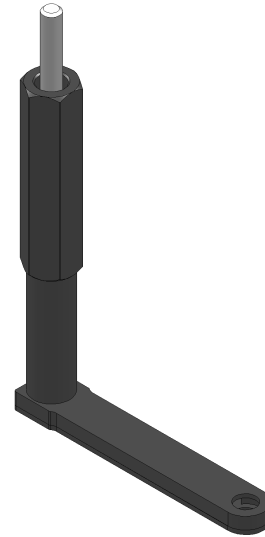
**WES965-HX**

**Pancake Drill Attachment 1/4 Round Shaft  
Straight 3.05 in Offset**

Offset L-Type Extended Flat Angle Drill Attachment

WEBSITE

<https://www.wesconusa.com/products/WES965-HX>



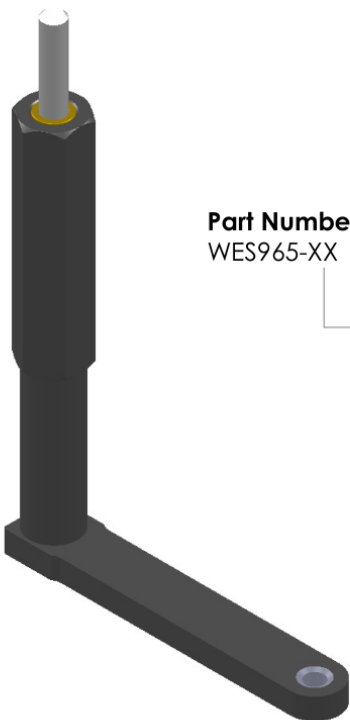
For access to very tight areas. The WES900 series is designed to fit 1/4"-28 threaded drill bits and has a 1/4" round shaft. Choose from straight, right hand, or left hand styles with various offsets. A 1/2" round handle is standard, with an optional 11/16" hex handle available. Also known as a L-Type drill attachment, drill offset, drill right angle attachment, pancake drill attachment, or drill offset adapter.

## SPECIFICATIONS

<b>Shaft</b>	1/4 Round
<b>Handle</b>	11/16 Hex
<b>Spindle Thread</b>	1/4-28
<b>Spindle Offset</b>	.281 in
<b>Drill Offset</b>	3.05 in
<b>Overall Length</b>	3.61 in
<b>Overall Height</b>	5.45 in
<b>Thickness</b>	.250 in
<b>Width</b>	.563 in
<b>Style</b>	Straight
<b>Rotation Configuration</b>	Standard
<b>Country of Origin</b>	USA

**ADDITIONAL IMAGES AND DRAWINGS**

**WES965 Series Drill Attachment**

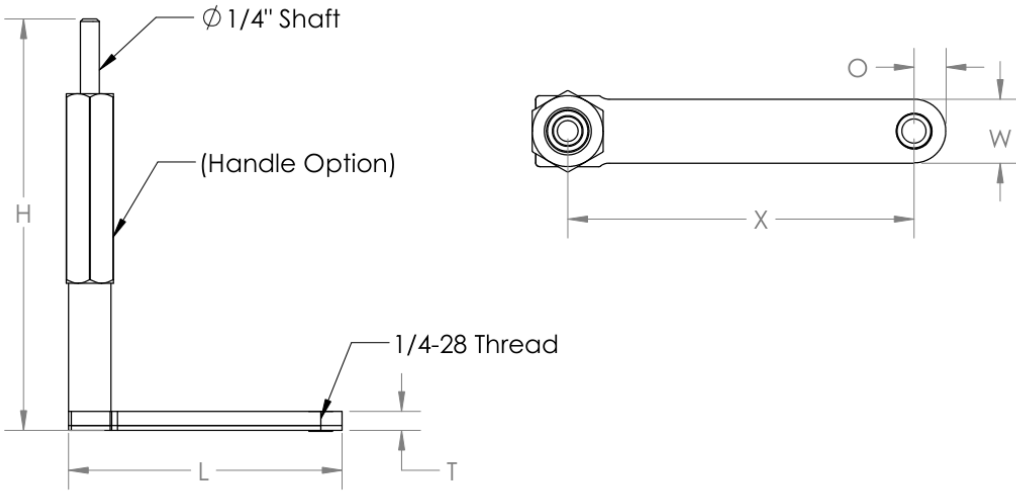


**Part Number**  
WES965-XX

Handle Option

Model Number	WES965
Spindle Thread	1/4-28
<b>O</b> Spindle Offset	0.281"
<b>X</b> Drill Offset	3.05"
<b>L</b> Overall Length	3.61"
<b>H</b> Overall Height	5.45"
<b>T</b> Thickness	0.250"
<b>W</b> Width	0.563"
Style	Straight

Code	Handle Option
(Blank)	1/2" Round
-HX	11/16" Hex



Notes:

Light Duty with sleeve bearing shaft to run upto 3000 RPM

Do not modify, copy, distribute, or reproduce this drawing without prior written authorization.

© 2025 Wescon Industries Inc.  
601 Century Plaza Dr. Houston, TX 77073, US  
www.wesconusa.com

Information in this drawing is provided for reference only

Revision 04 All dimensions are in Inches

Part Number **WES965 Series**

Offset Angle Drilling Attachment

Image 1