

DATASHEET

PART NUMBER

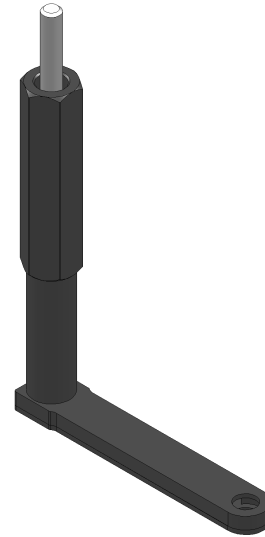
WES965

**Pancake Drill Attachment 1/4 Round Shaft
Straight 3.05 in Offset**

Offset L-Type Extended Flat Angle Drill Attachment

WEBSITE

<https://www.wesconusa.com/products/WES965>



* The image represents the general look of the series. Actual product may vary based on options selected.

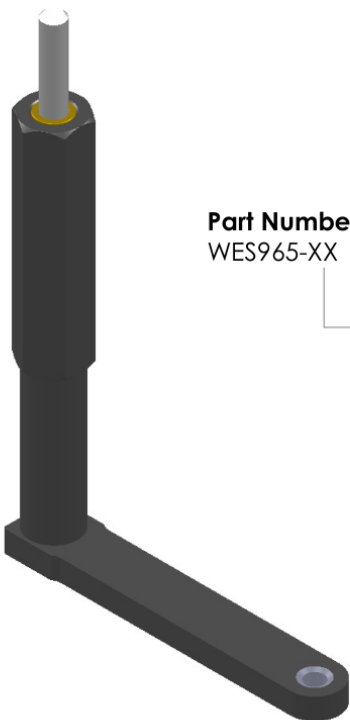
For access to very tight areas. The WES900 series is designed to fit 1/4"-28 threaded drill bits and has a 1/4" round shaft. Choose from straight, right hand, or left hand styles with various offsets. A 1/2" round handle is standard, with an optional 11/16" hex handle available. Also known as a L-Type drill attachment, drill offset, drill right angle attachment, pancake drill attachment, or drill offset adapter.

SPECIFICATIONS

| | |
|------------------------|------------|
| Shaft | 1/4 Round |
| Handle | 1/2" Round |
| Spindle Thread | 1/4-28 |
| Spindle Offset | .281 in |
| Drill Offset | 3.05 in |
| Overall Length | 3.61 in |
| Overall Height | 5.45 in |
| Thickness | .250 in |
| Width | .563 in |
| Style | Straight |
| Rotation Configuration | Standard |
| Country of Origin | USA |

ADDITIONAL IMAGES AND DRAWINGS

WES965 Series Drill Attachment

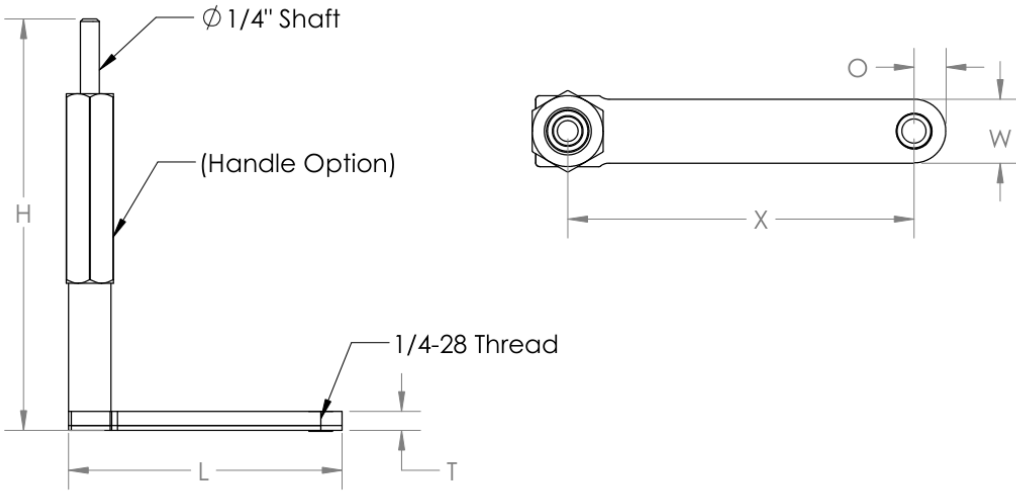


Part Number
WES965-XX

Handle Option

| Model Number | WES965 |
|-------------------------|----------|
| Spindle Thread | 1/4-28 |
| O Spindle Offset | 0.281" |
| X Drill Offset | 3.05" |
| L Overall Length | 3.61" |
| H Overall Height | 5.45" |
| T Thickness | 0.250" |
| W Width | 0.563" |
| Style | Straight |

| Code | Handle Option |
|---------|---------------|
| (Blank) | 1/2" Round |
| -HX | 11/16" Hex |



Notes:

Light Duty with sleeve bearing shaft to run upto 3000 RPM

Do not modify, copy, distribute, or reproduce this drawing without prior written authorization.

© 2025 Wescon Industries Inc.
601 Century Plaza Dr. Houston, TX 77073, US
www.wesconusa.com

Information in this drawing is provided for reference only

Part Number **WES965 Series**

Offset Angle Drilling Attachment

Revision 04 All dimensions are in Inches

Image 1