

## DATASHEET

PART NUMBER

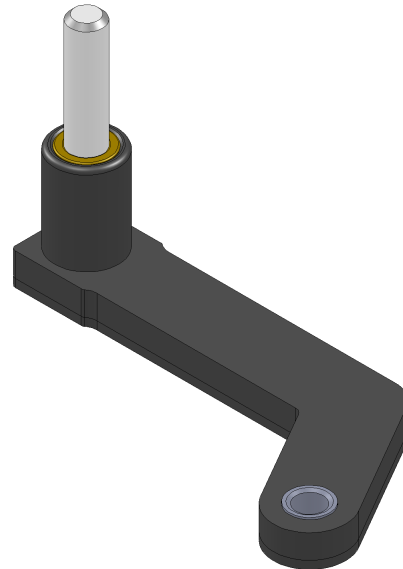
**WES970**

### **Pancake Drill Attachment 1/4 Round Shaft Right Hand 2.63 in Offset**

Offset L-Type Extended Flat Angle Drill Attachment

WEBSITE

<https://www.wesconusa.com/products/WES970>



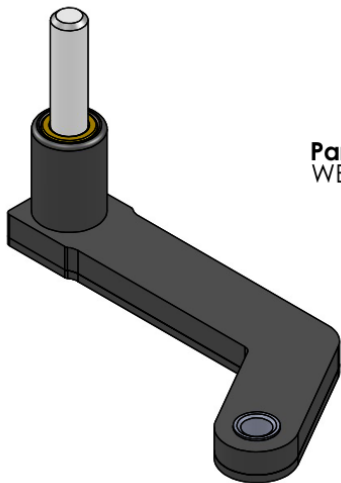
For access to very tight areas. The WES900 series is designed to fit 1/4"-28 threaded drill bits and has a 1/4" round shaft. Choose from straight, right hand, or left hand styles with various offsets. A 1/2" round handle is standard, with an optional 11/16" hex handle available. Also known as a L-Type drill attachment, drill offset, drill right angle attachment, pancake drill attachment, or drill offset adapter.

## SPECIFICATIONS

<b>Shaft</b>	1/4 Round
<b>Handle</b>	1/2" Round
<b>Spindle Thread</b>	1/4-28
<b>Spindle Offset</b>	.281 in
<b>Drill Offset</b>	2.63 in
<b>Overall Length</b>	3.16 in
<b>Overall Height</b>	1.85 in
<b>Thickness</b>	.250 in
<b>Width</b>	.563 in
<b>Style</b>	Right Hand
<b>Rotation Configuration</b>	Standard
<b>Country of Origin</b>	USA

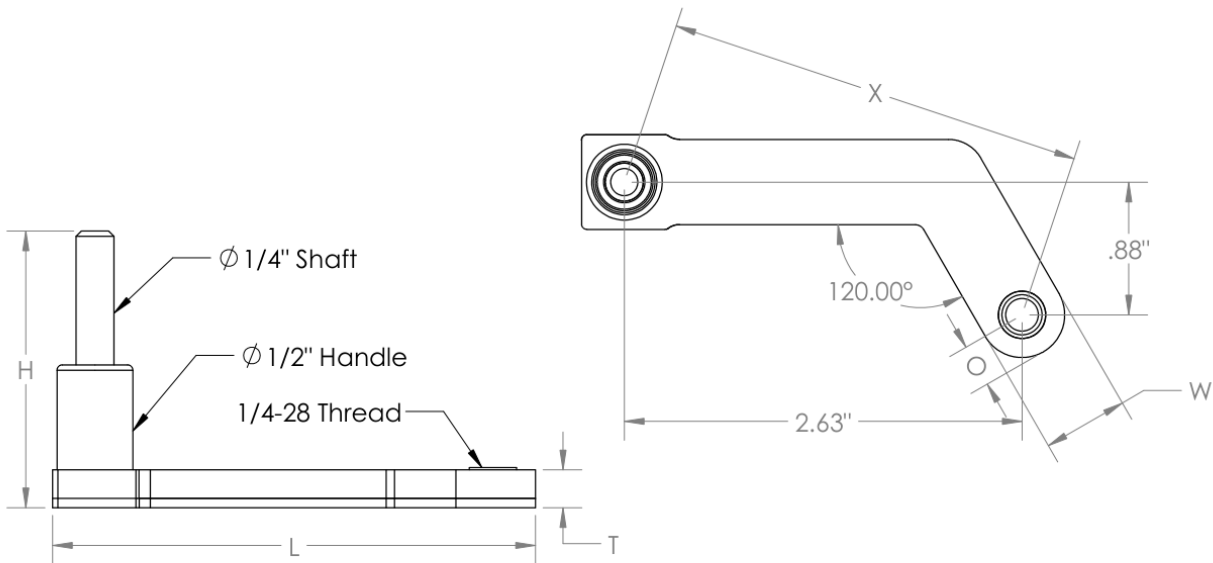
**ADDITIONAL IMAGES AND DRAWINGS**

**WES970 Drill Attachment**



**Part Number**  
WES970

	Model Number	WES970
	Spindle Thread	1/4-28
<b>O</b>	Spindle Offset	0.281"
<b>X</b>	Drill Offset	2.63"
<b>L</b>	Overall Length	3.16"
<b>H</b>	Overall Height	1.85"
<b>T</b>	Thickness	0.250"
<b>W</b>	Width	0.563"
	Style	Right Hand



**Notes:**

Light Duty with sleeve bearing shaft to run upto 3000 RPM



Part Number

**WES970**

Do not modify, copy, distribute, or reproduce this drawing without prior written authorization.

© 2025 Wescon Industries Inc.  
601 Century Plaza Dr. Houston, TX 77073, US  
www.wesconusa.com

**Offset Angle Drilling Attachment**

Revision 05

All dimensions are in Inches

Information in this drawing is provided for reference only

Image 1