

## DATASHEET

PART NUMBER

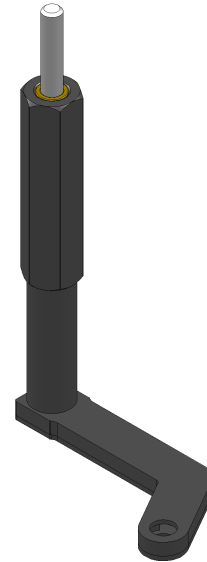
**WES975**

**Pancake Drill Attachment 1/4 Round Shaft Right Hand 2.63 in Offset**

Offset L-Type Extended Flat Angle Drill Attachment

WEBSITE

<https://www.wesconusa.com/products/WES975>



\* The image represents the general look of the series. Actual product may vary based on options selected.

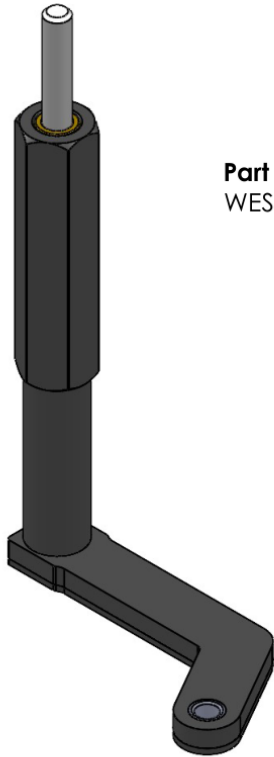
For access to very tight areas. The WES900 series is designed to fit 1/4"-28 threaded drill bits and has a 1/4" round shaft. Choose from straight, right hand, or left hand styles with various offsets. A 1/2" round handle is standard, with an optional 11/16" hex handle available. Also known as a L-Type drill attachment, drill offset, drill right angle attachment, pancake drill attachment, or drill offset adapter.

## SPECIFICATIONS

Shaft	1/4 Round
Handle	1/2" Round
Spindle Thread	1/4-28
Spindle Offset	.281 in
Drill Offset	2.63 in
Overall Length	3.16 in
Overall Height	5.45 in
Thickness	.250 in
Width	.563 in
Style	Right Hand
Rotation Configuration	Standard
Country of Origin	USA

**ADDITIONAL IMAGES AND DRAWINGS**

**WES975 Series Drill Attachment**

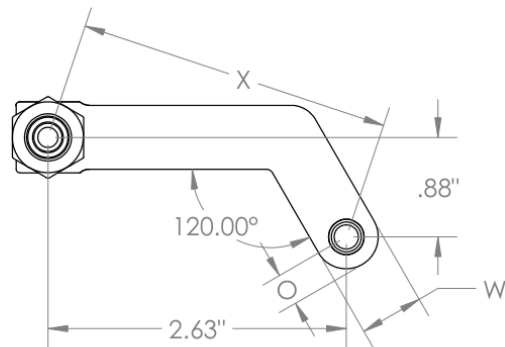
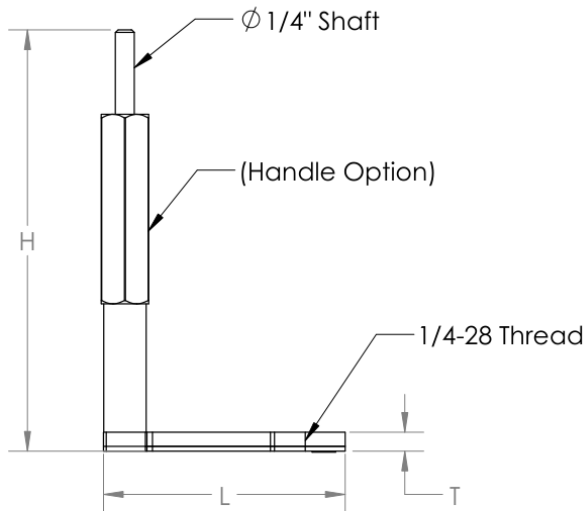


**Part Number**  
WES975-XX

Handle Option

Code	Handle Option
(Blank)	1/2" Round
-HX	1 1/16" Hex

Model Number	WES975
Spindle Thread	1/4-28
<b>O</b> Spindle Offset	0.281"
<b>X</b> Drill Offset	2.63"
<b>L</b> Overall Length	3.16"
<b>H</b> Overall Height	5.45"
<b>T</b> Thickness	0.250"
<b>W</b> Width	0.563"
Style	Right Hand



**Notes:**

Light Duty with sleeve bearing shaft to run upto 3000 RPM



Part Number **WES975 Series**

Do not modify, copy, distribute, or reproduce this drawing without prior written authorization.

© 2025 Wescon Industries Inc.  
601 Century Plaza Dr. Houston, TX 77073, US  
www.wesconusa.com

Offset Angle Drilling Attachment

Revision 04 All dimensions are in Inches Information in this drawing is provided for reference only

Image 1