

## DATASHEET

PART NUMBER

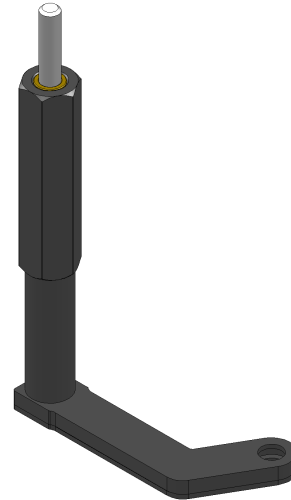
### WES985-HX-QC

#### Pancake Drill Attachment Quick Change Shaft Left Hand 2.63 in Offset

Offset L-Type Extended Flat Angle Drill Attachment

WEBSITE

<https://www.wesconusa.com/products/WES985-HX-QC>



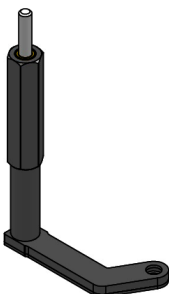
\* The image represents the general look of the series. Actual product may vary based on options selected.

For access to very tight areas. The WES900 series is designed to fit 1/4"-28 threaded drill bits and has a 1/4" round shaft. Choose from straight, right hand, or left hand styles with various offsets. Optional tri-flats or quick change shafts are available. A 1/2" round handle is standard, with an optional 11/16" hex handle available. Also known as a L-Type drill attachment, drill offset, drill right angle attachment, pancake drill attachment, or drill offset adapter.

## SPECIFICATIONS

Shaft	Quick Change
Handle	11/16 Hex
Spindle Thread	1/4-28
Spindle Offset	.281 in
Drill Offset	2.63 in
Overall Length	3.16 in
Overall Height	5.45 in
Thickness	.250 in
Width	.563 in
Style	Left Hand
Country of Origin	USA

# ADDITIONAL IMAGES AND DRAWINGS

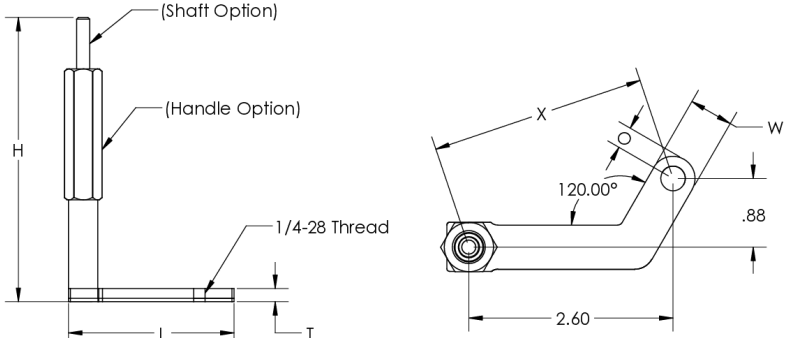


**Part Number**  
WES985-XX-XX

Shaft Option  
Handle Option

Code	Shaft Option	Code	Handle Option
(Blank)	1/4 Round	(Blank)	1/2 Round
-QC	Quick Change	-HX	11/16 Hex
-TF	Tri Flat		

Model Number	WES985
Spindle Thread	1/4-28
O Spindle Offset	0.281
X Drill Offset	2.63
L Overall Length	3.16
H Overall Height	5.45
T Thickness	0.250
W Width	0.563
Style	Left Hand



Light Duty with sleeve bearing shaft to run upto 3000 RPM

All dimensions are in inches


 © 2025 Wescon Industries Inc. 601 Century Plaza Dr. Houston, TX 77073, US www.wesconusa.com	Part Number <b>WES985</b>
	Offset Angle Drilling Attachment

Image 1